



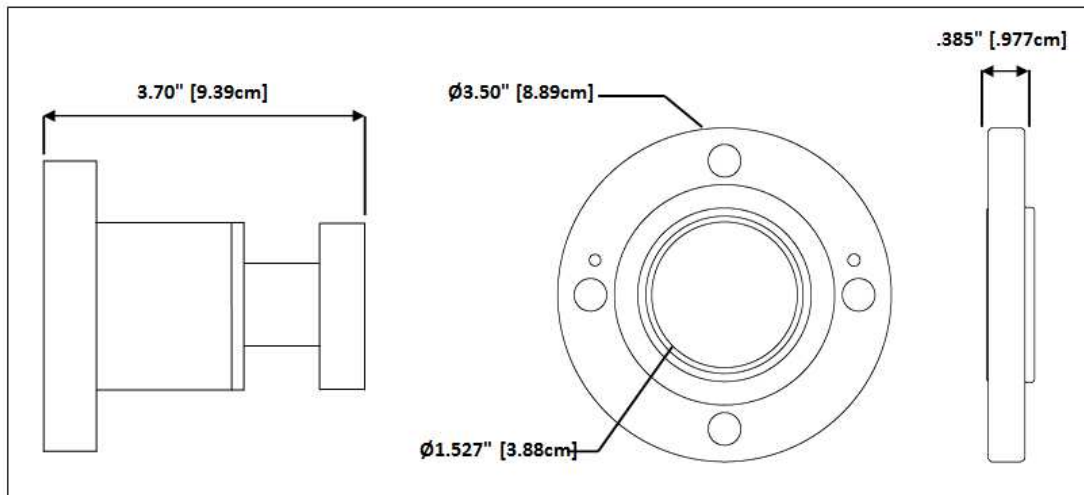
**150700**

**1-5/8" EIA to 7/8" EIA Reducer**

**LENGTH** = Overall Component Length Without Inner Connectors

**WEIGHT** = All Included Materials (reducer, inner connector, anchor insulator, o-ring, and hardware)

P/N	DESCRIPTION	FREQUENCY RANGE	LENGTH (inches)	WEIGHT (lbs)
150700	1-5/8" EIA Flange to 7/8" EIA Flange Reducer	88 - 108 MHz (1.1:1 VSWR)	3.70"/9.39cm	2.0 lbs



Typical Response (1.1:1 VSWR 54-692 MHz)



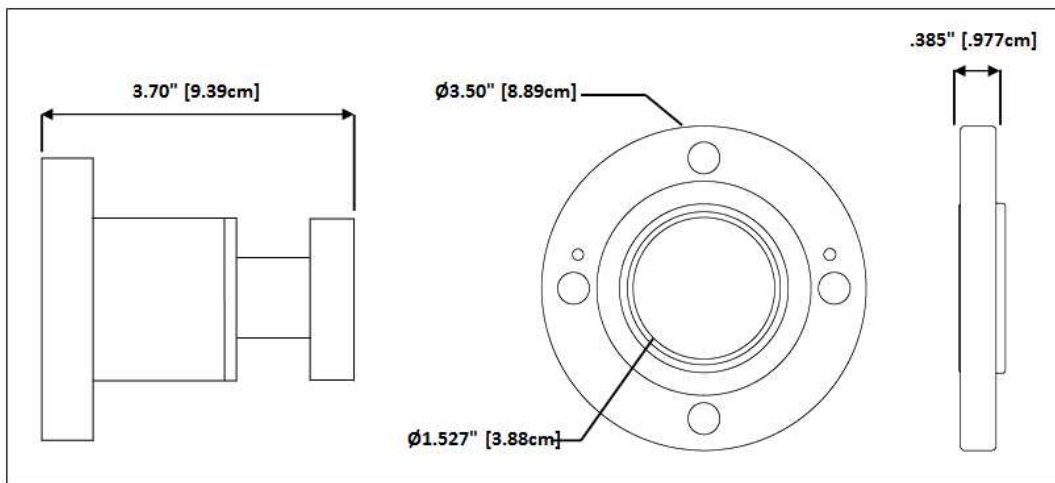
**150700A**

**1-5/8" EIA to 7/8" EIA Reducer**

**LENGTH** = Overall Component Length Without Inner Connectors

**WEIGHT** = All Included Materials (reducer, inner connector, anchor insulator, o-ring, and hardware)

P/N	DESCRIPTION	FREQUENCY RANGE	LENGTH (inches)	WEIGHT (lbs)
150700	1-5/8" EIA Flange to 7/8" EIA Flange Reducer	88 - 108 MHz (1.1:1 VSWR)	3.70"/9.39cm	2.25 lbs



Typical Response (1.1:1 VSWR 54-692 MHz)



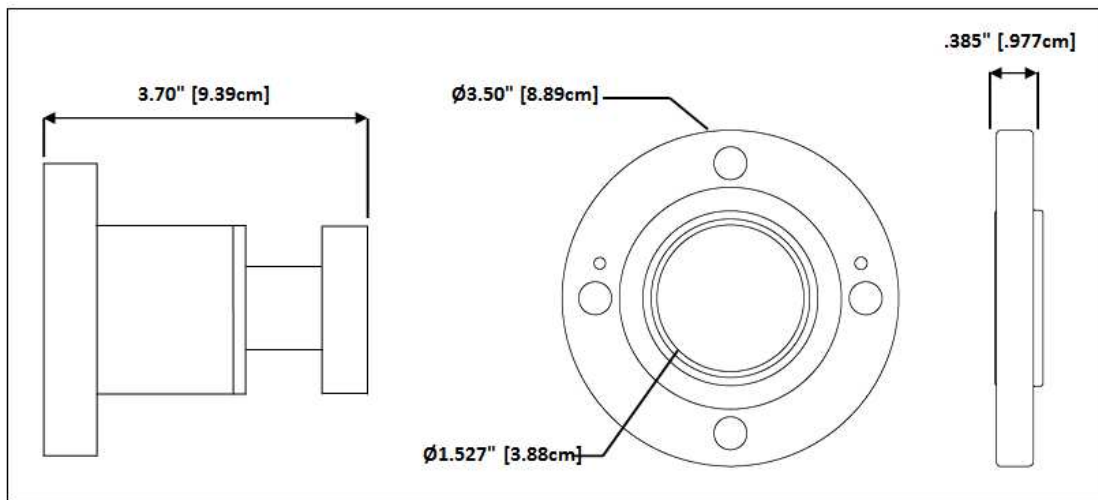
**150700B**

**1-5/8" EIA to 7/8" EIA Reducer**

**LENGTH** = Overall Component Length Without Inner Connectors

**WEIGHT** = All Included Materials (reducer, inner connector, anchor insulator, o-ring, and hardware)

P/N	DESCRIPTION	FREQUENCY RANGE	LENGTH (inches)	WEIGHT (lbs)
150700	1-5/8" EIA Flange to 7/8" EIA Flange Reducer	88 - 108 MHz (1.1:1 VSWR)	3.70"/9.39cm	2.50 lbs



Typical Response (1.1:1 VSWR 54-692 MHz)



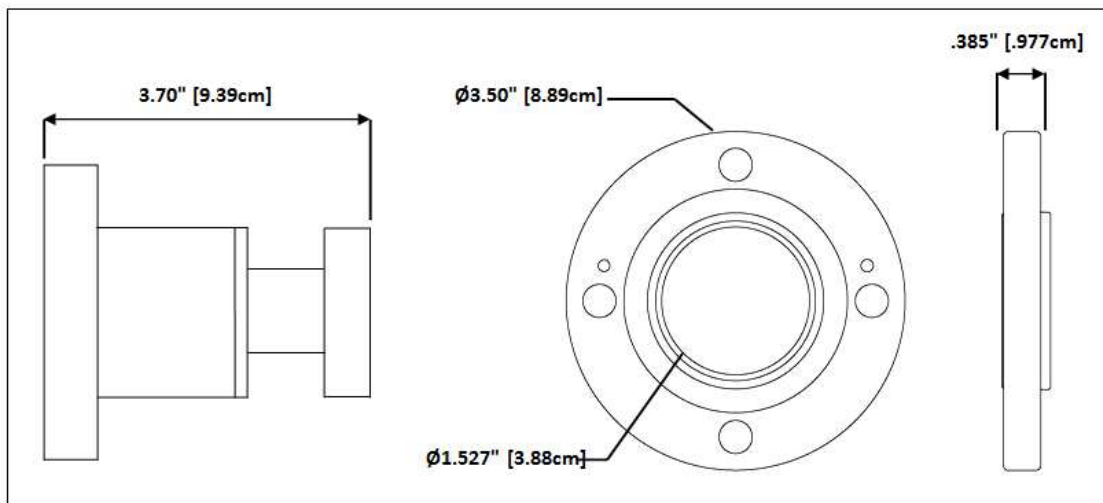
**150700C**

**1-5/8" EIA to 7/8" EIA Reducer**

**LENGTH** = Overall Component Length Without Inner Connectors

**WEIGHT** = All Included Materials (reducer, inner connector, anchor insulator, o-ring, and hardware)

P/N	DESCRIPTION	FREQUENCY RANGE	LENGTH (inches)	WEIGHT (lbs)
150700	1-5/8" EIA Flange to 7/8" EIA Flange Reducer	88 - 108 MHz (1.1:1 VSWR)	3.70"/9.39cm	1.75 lbs



Typical Response (1.1:1 VSWR 54-692 MHz)



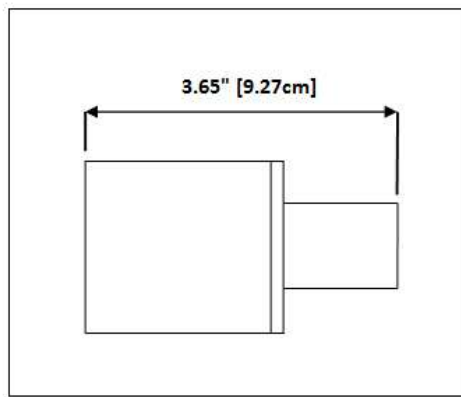
**150703**

**1-5/8" to 7/8" Un-Flanged Reducer**

**LENGTH** = Overall Component Length Without Inner Connectors

**WEIGHT** = All Included Materials (reducer, inner connector, anchor insulator, o-ring, and hardware)

P/N	DESCRIPTION	FREQUENCY RANGE	LENGTH (inches)	WEIGHT (lbs)
150703	1-5/8" to 7/8" Un-Flange Reducer	88 - 108 MHz (1.1:1 VSWR)	3.65"/9.27cm	1.0 lbs



Typical Response (1.1:1 VSWR 54-692 MHz)



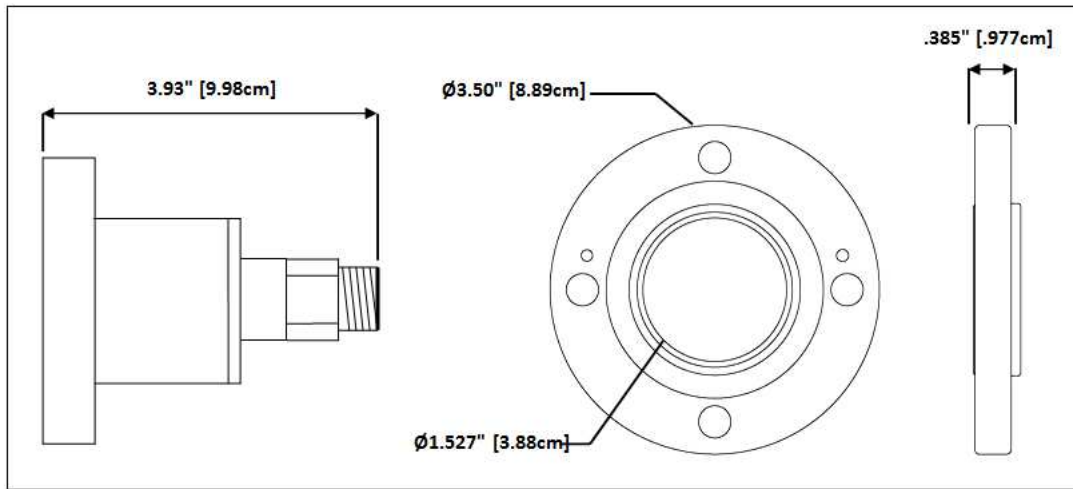
**150705**

**1-5/8" EIA to Type N Female Reducer**

**LENGTH** = Overall Component Length Without Inner Connectors

**WEIGHT** = All Included Materials (reducer, inner connector, anchor insulator, o-ring, and hardware)

P/N	DESCRIPTION	FREQUENCY RANGE	LENGTH (inches)	WEIGHT (lbs)
150705	1-5/8" EIA Flange to Type N Female Reducer	88 - 108 MHz (1.1:1 VSWR)	3.93"/9.98cm	1.75 lbs



Typical Response (1.1:1 VSWR 54-692 MHz)



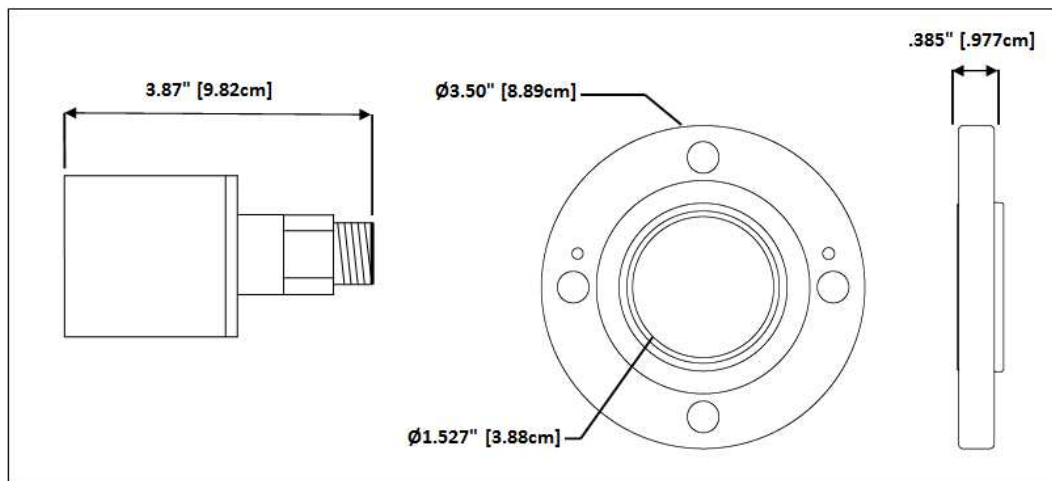
**150706**

**1-5/8" to Type N Female Un-Flanged Reducer**

**LENGTH** = Overall Component Length Without Inner Connectors

**WEIGHT** = All Included Materials (reducer, inner connector, anchor insulator, o-ring, and hardware)

P/N	DESCRIPTION	FREQUENCY RANGE	LENGTH (inches)	WEIGHT (lbs)
150706	1-5/8" to Type N Female Un-Flanged Reducer	88 - 108 MHz (1.1:1 VSWR)	3.87"/9.82cm	1.50 lbs



Typical Response (1.1:1 VSWR 54-692 MHz)



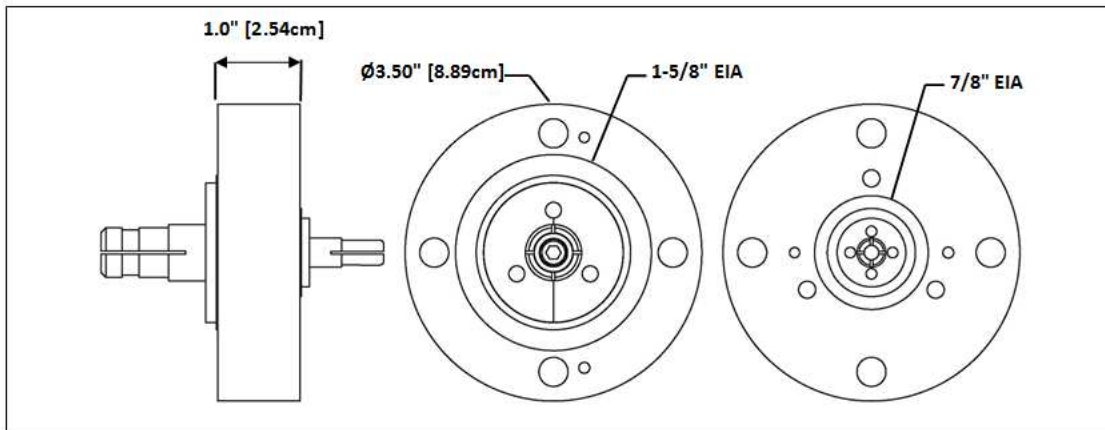
**150707**

**1-5/8" to 7/8" EIA Plate Reducer**

**LENGTH** = Overall Component Length Without Inner Connectors

**WEIGHT** = All Included Materials (reducer, inner connector, anchor insulator, o-ring, and hardware)

P/N	DESCRIPTION	FREQUENCY RANGE	LENGTH (inches)	WEIGHT (lbs)
150707	1-5/8" to 7/8" EIA Plate Reducer	88 - 108 MHz (1.1:1 VSWR)	1.0" / 2.54cm	2.75 lbs



Typical Response (1.1:1 VSWR 54-692 MHz)





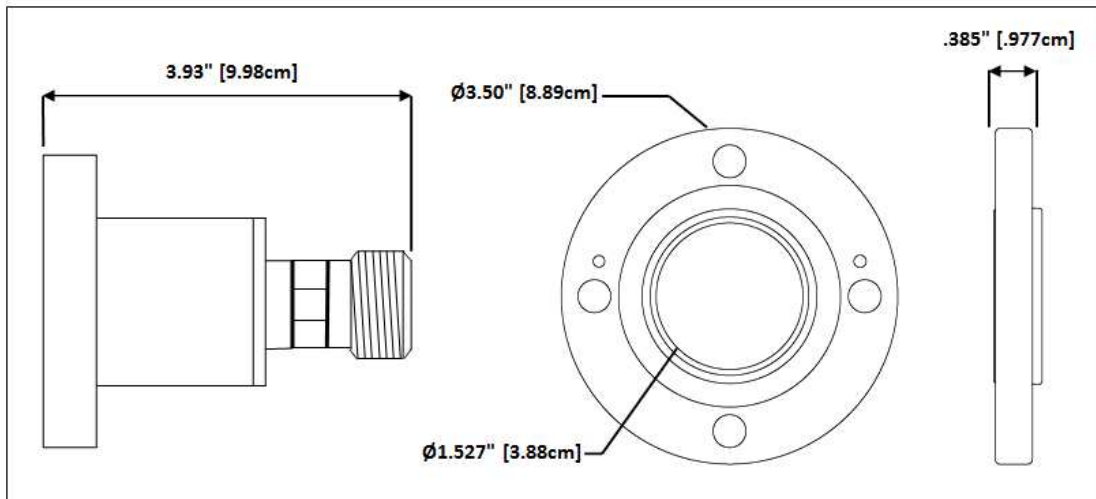
**150710**

**1-5/8" EIA to 7-16 DIN Female Reducer**

**LENGTH** = Overall Component Length Without Inner Connectors

**WEIGHT** = All Included Materials (reducer, inner connector, anchor insulator, o-ring, and hardware)

P/N	DESCRIPTION	FREQUENCY RANGE	LENGTH (inches)	WEIGHT (lbs)
150710	1-5/8" EIA Flange to 7-16 DIN Female Reducer	88 - 108 MHz (1.1:1 VSWR)	3.93"/9.98cm	2.0 lbs



Typical Response (1.1:1 VSWR 54-692 MHz)



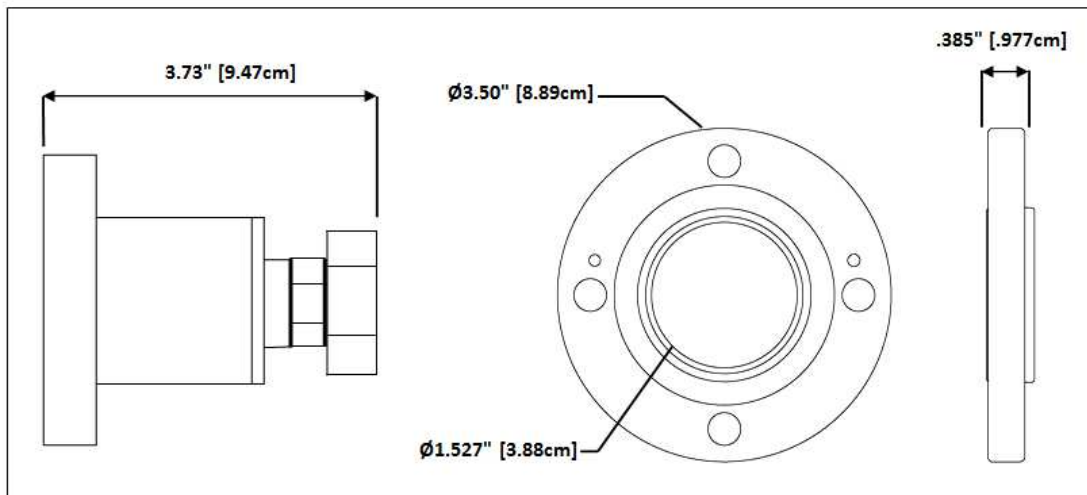
**150715**

**1-5/8" EIA to 7-16 DIN Male Reducer**

**LENGTH** = Overall Component Length Without Inner Connectors

**WEIGHT** = All Included Materials (reducer, inner connector, anchor insulator, o-ring, and hardware)

P/N	DESCRIPTION	FREQUENCY RANGE	LENGTH (inches)	WEIGHT (lbs)
150715	1-5/8" EIA Flange to 7-16 DIN Male Reducer	88 - 108 MHz (1.1:1 VSWR)	3.73"/9.47cm	2.0 lbs



Typical Response (1.1:1 VSWR 54-692 MHz)