

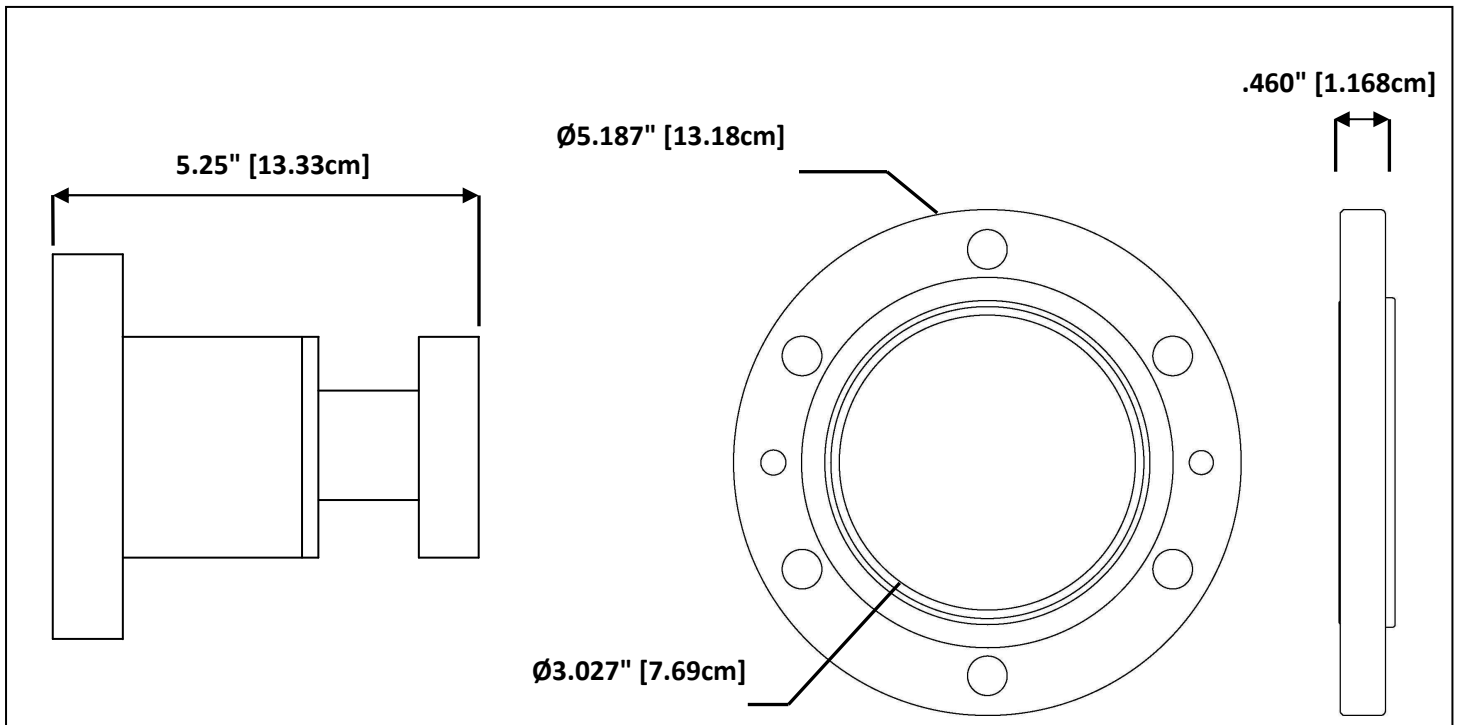
350700

3-1/8" EIA to 1-5/8" EIA Reducer

LENGTH = Overall Component Length Without Inner Connectors

WEIGHT = All Included Materials (reducer, inner connector, anchor insulator, o-ring, and hardware)

P/N	DESCRIPTION	FREQUENCY RANGE	LENGTH (inches)	WEIGHT (lbs)
350700	3-1/8" EIA Flange to 7/8" EIA Flange Reducer	88 - 108 MHz (1.1:1 VSWR)	5.25"/13.33cm	4.8 lbs



Typical Response (1.1:1 VSWR 54 - 448 MHz)

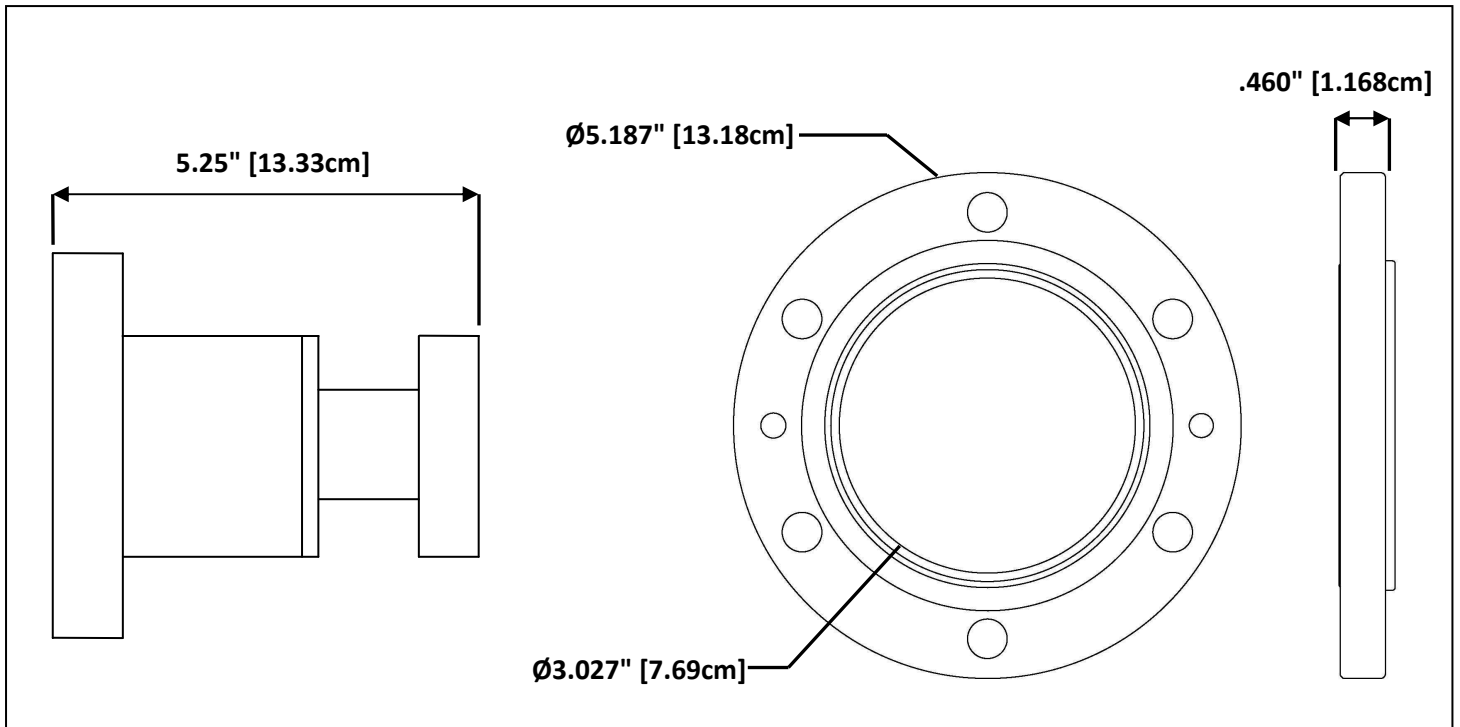
350700A

3-1/8" EIA to 1-5/8" EIA Reducer

LENGTH = Overall Component Length Without Inner Connectors

WEIGHT = All Included Materials (reducer, inner connector, anchor insulator, o-ring, and hardware)

P/N	DESCRIPTION	FREQUENCY RANGE	LENGTH (inches)	WEIGHT (lbs)
350700A	3-1/8" EIA Flange to 7/8" EIA Flange Reducer	88 - 108 MHz (1.1:1 VSWR)	5.25"/13.33cm	5.3 lbs



Typical Response (1.1:1 VSWR 54 - 448 MHz)

350700B

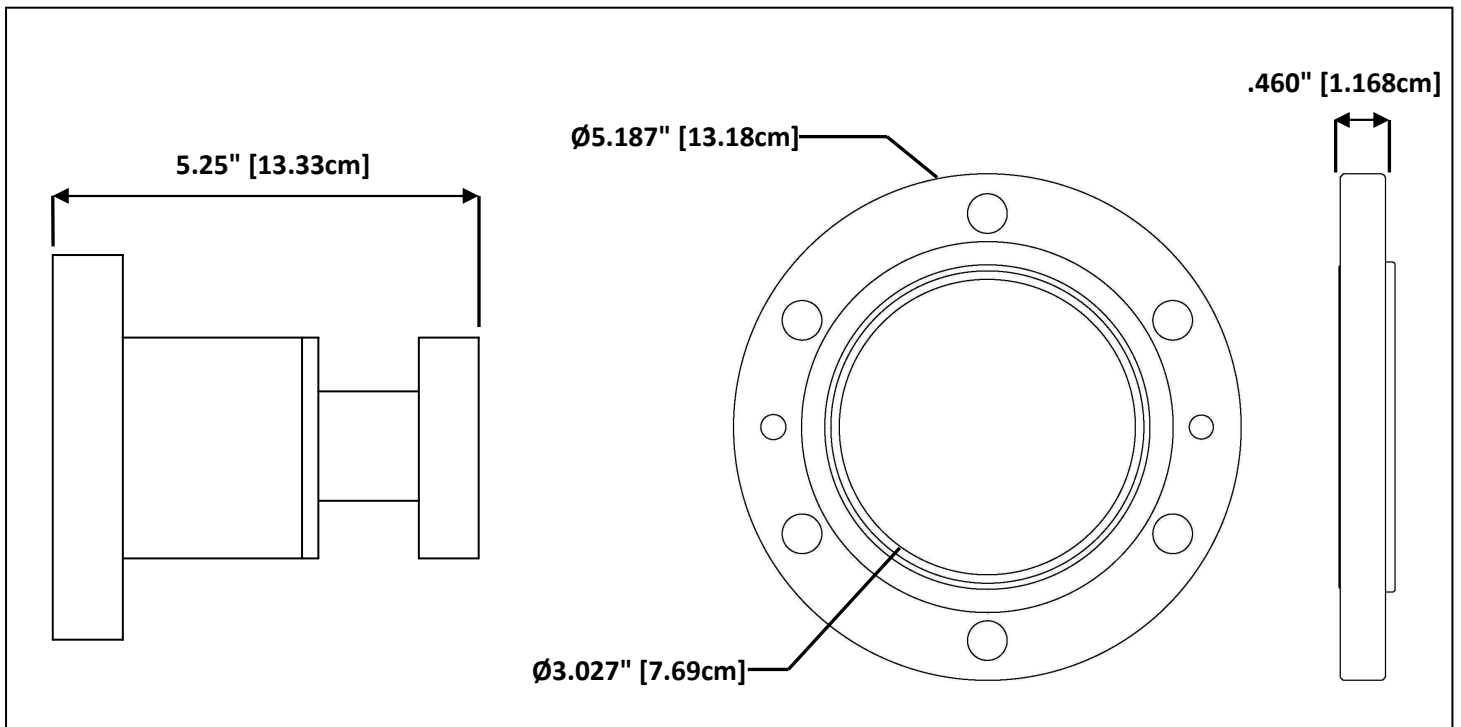
3-1/8" EIA to 1-5/8" EIA Reducer

LENGTH = Overall Component Length Without Inner Connectors

WEIGHT = All Included Materials (reducer, inner connector, anchor insulator, o-ring, and hardware)

P/N	DESCRIPTION	FREQUENCY RANGE	LENGTH (inches)	WEIGHT (lbs)
350700B	3-1/8" EIA Flange to 7/8" EIA Flange Reducer	88 - 108 MHz (1.1:1 VSWR)	5.25"/13.33cm	6.15 lbs

Includes: 3-1/8" & 1-5/8" Accessories - (2) Inner Connectors (2) Anchor Insulators (2) Hardware Kits (2) O-Rings



Typical Response (1.1:1 VSWR 54 - 448 MHz)

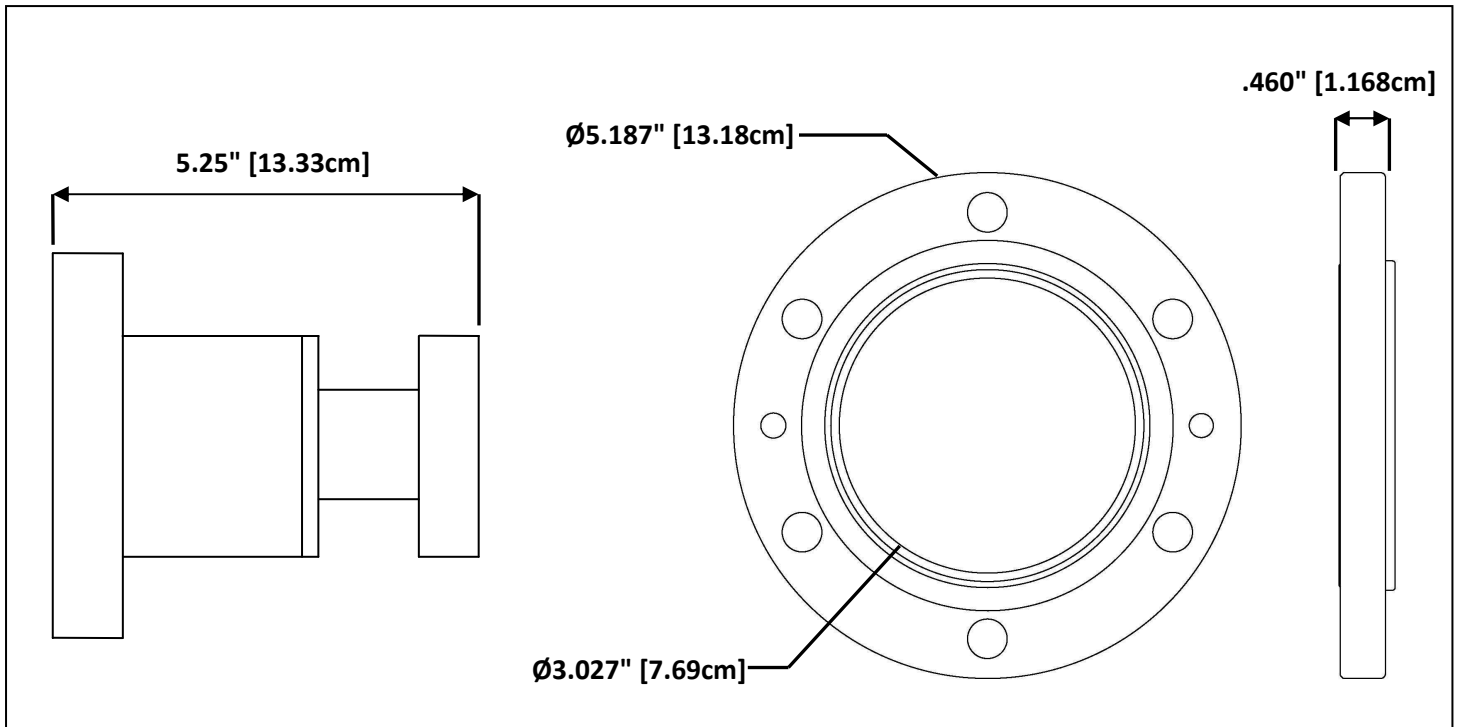
350700C

3-1/8" EIA to 1-5/8" EIA Reducer

LENGTH = Overall Component Length Without Inner Connectors

WEIGHT = All Included Materials (reducer, inner connector, anchor insulator, o-ring, and hardware)

P/N	DESCRIPTION	FREQUENCY RANGE	LENGTH (inches)	WEIGHT (lbs)
350700C	3-1/8" EIA Flange to 7/8" EIA Flange Reducer	88 - 108 MHz (1.1:1 VSWR)	5.25"/13.33cm	4.3 lbs



Typical Response (1.1:1 VSWR 54 - 448 MHz)

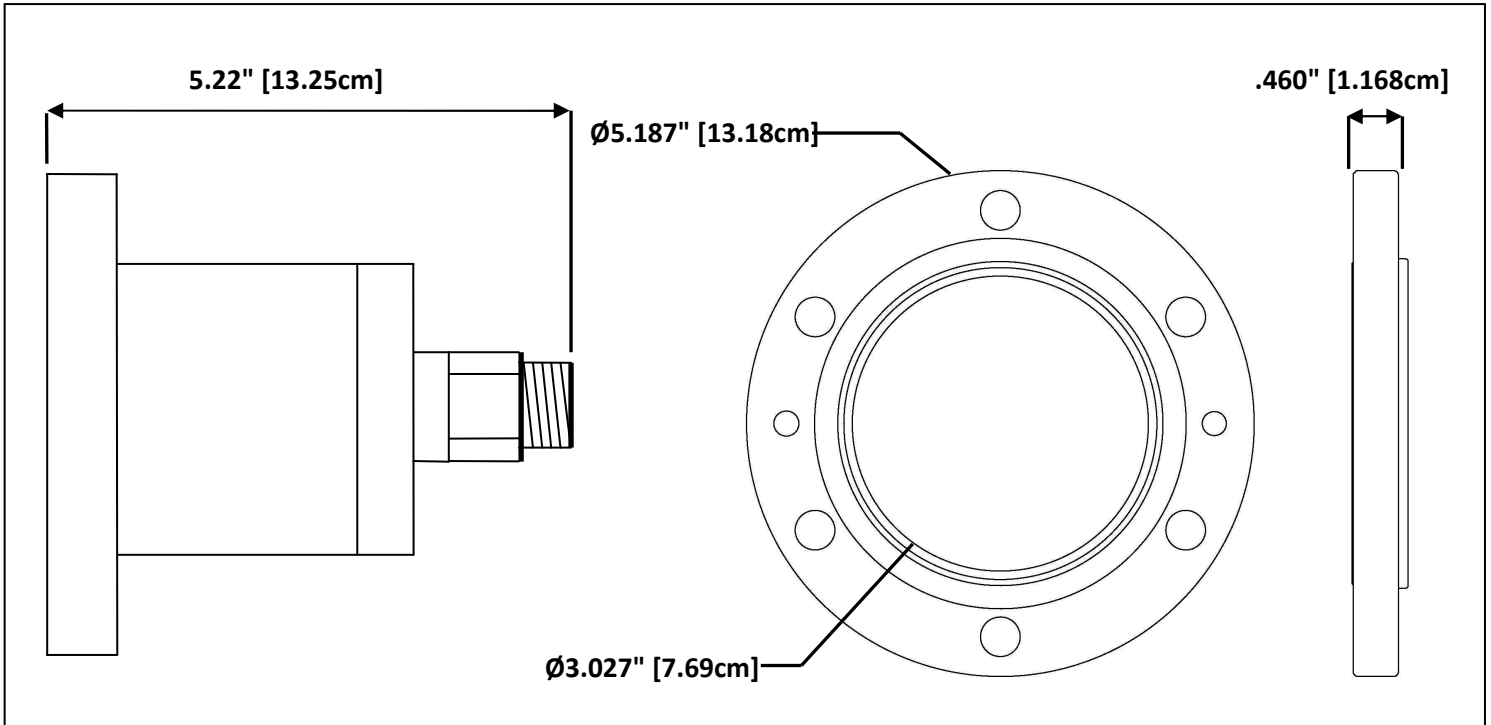
350705

3-1/8" EIA to Type N Female Reducer

LENGTH = Overall Component Length Without Inner Connectors

WEIGHT = All Included Materials (reducer, inner connector, anchor insulator, o-ring, and hardware)

P/N	DESCRIPTION	FREQUENCY RANGE	LENGTH (inches)	WEIGHT (lbs)
350705	3-1/8" EIA Flange to Type N Female Reducer	88 - 108 MHz (1.1:1 VSWR)	5.22"/13.25cm	5.0 lbs



Typical Response (1.1:1 VSWR 54 - 448 MHz)

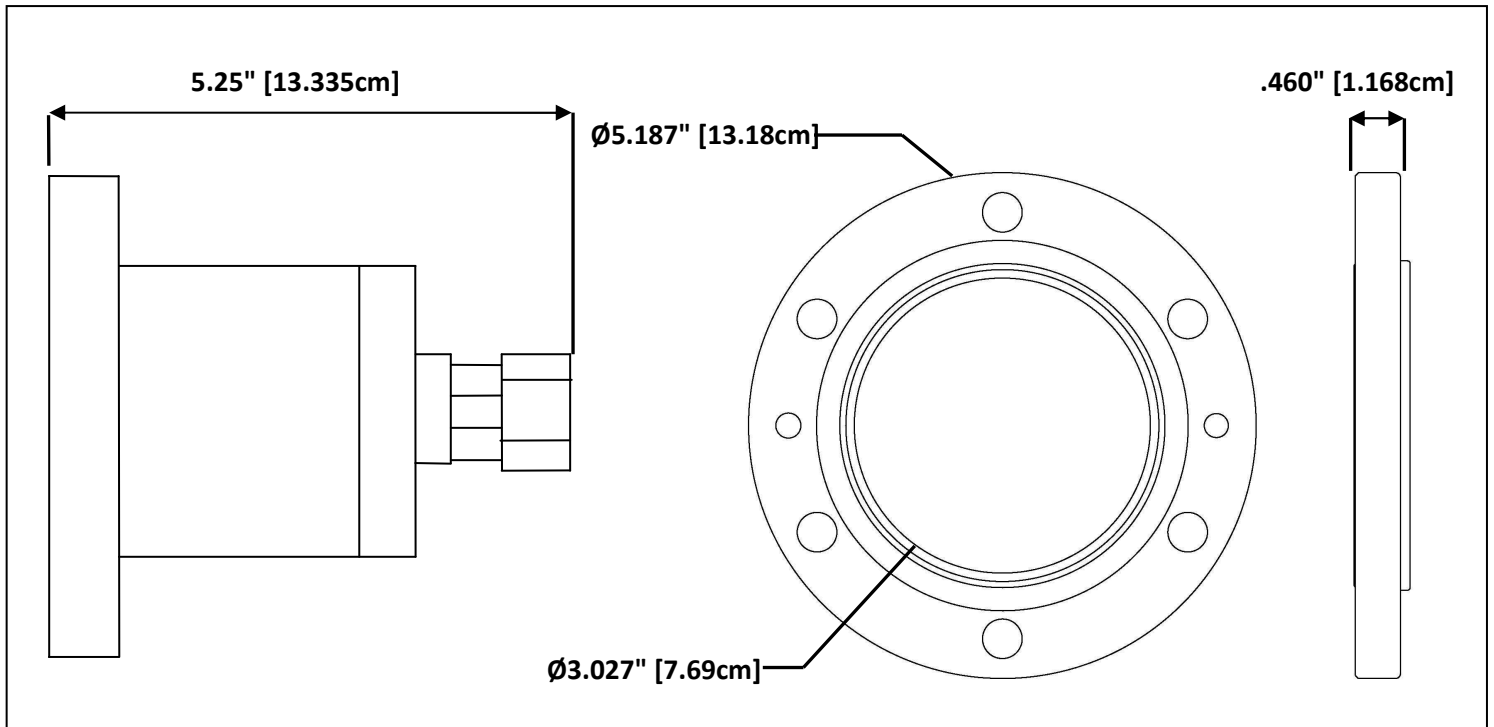
350706

3-1/8" EIA to Type N Male Reducer

LENGTH = Overall Component Length Without Inner Connectors

WEIGHT = All Included Materials (reducer, inner connector, anchor insulator, o-ring, and hardware)

P/N	DESCRIPTION	FREQUENCY RANGE	LENGTH (inches)	WEIGHT (lbs)
350705	3-1/8" EIA Flange to Type N Male Reducer	88 - 108 MHz (1.1:1 VSWR)	5.25"/13.25cm	5.0 lbs



Typical Response (1.1:1 VSWR 54 - 448 MHz)

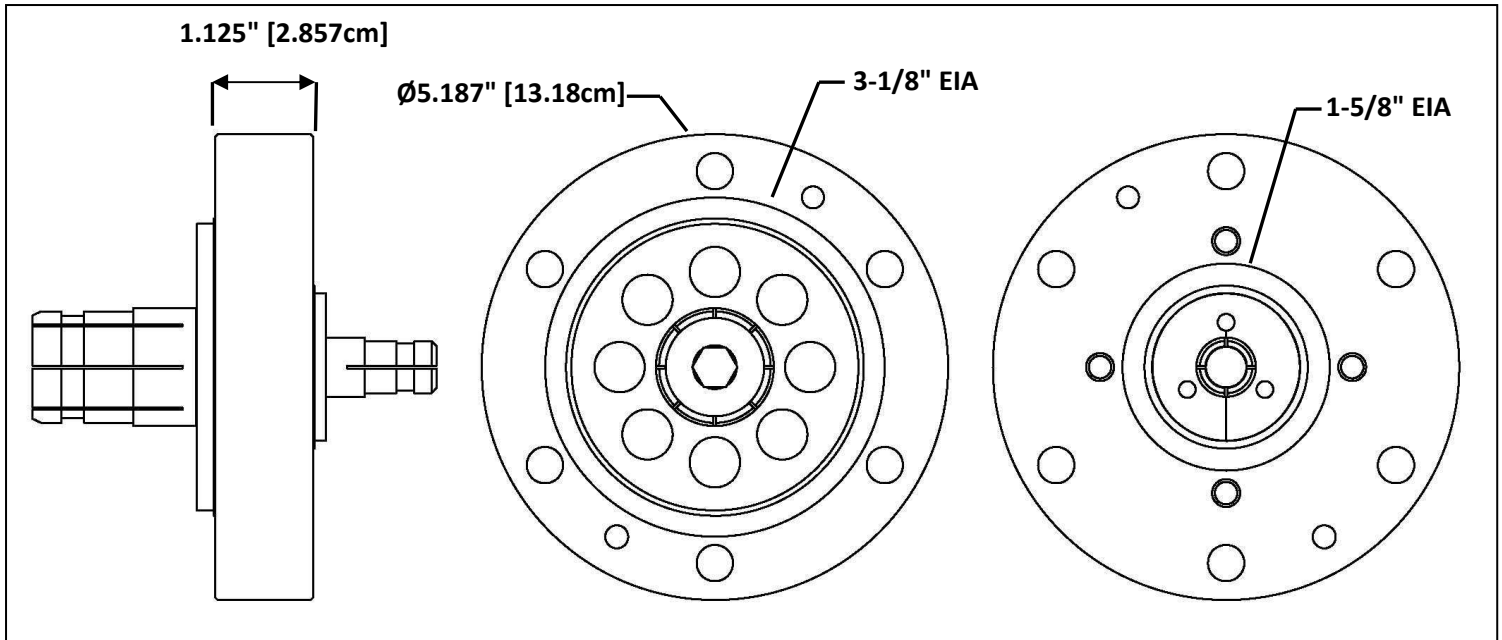
350707

3-1/8" to 1-5/8" EIA Plate Reducer

LENGTH = Overall Component Length Without Inner Connectors

WEIGHT = All Included Materials (reducer, inner connector, anchor insulator, o-ring, and hardware)

P/N	DESCRIPTION	FREQUENCY RANGE	LENGTH (inches)	WEIGHT (lbs)
350707	3-1/8" to 1-5/8" EIA Plate Reducer	88 - 108 MHz (1.1:1 VSWR)	1.125"/2.857cm	9.50 lbs



Typical Response (1.1:1 VSWR 54 - 448 MHz)

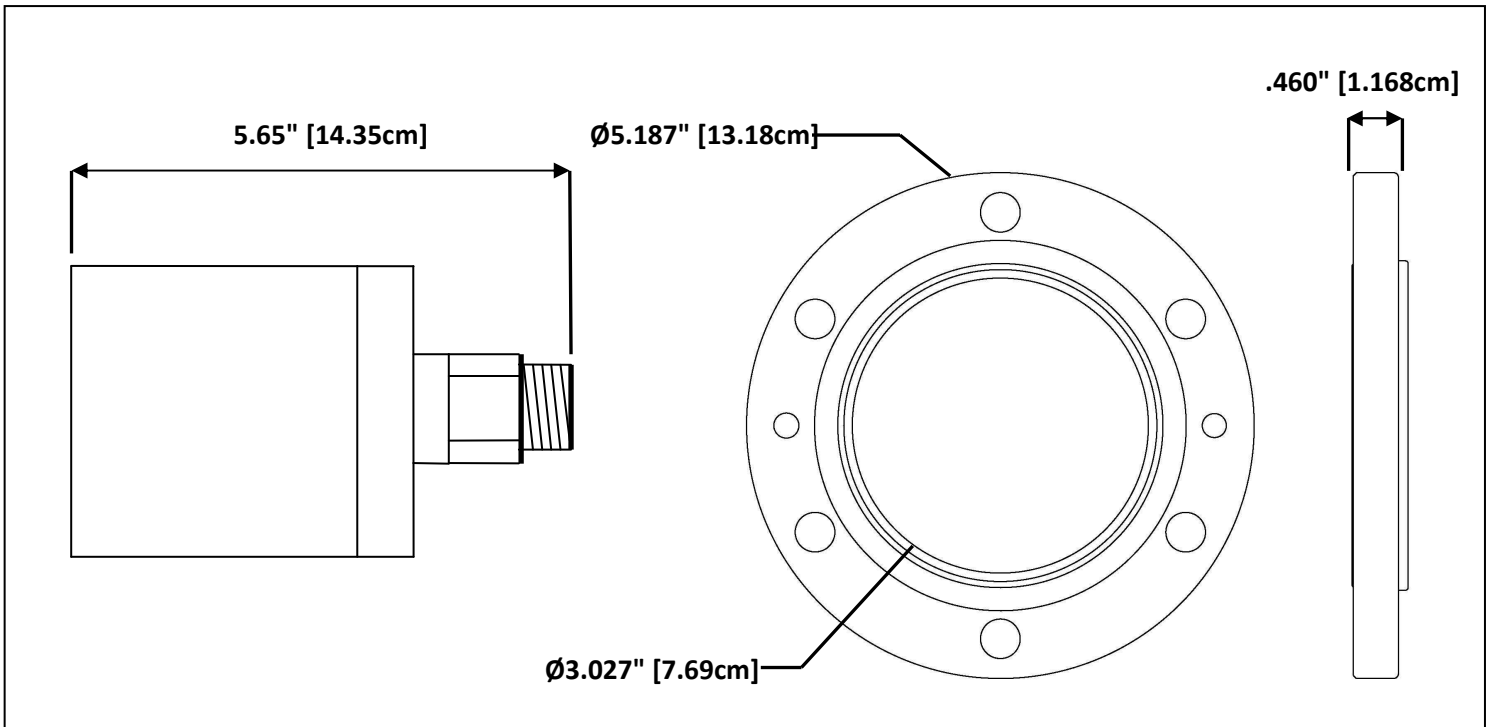
350708

3-1/8" Un-Flanged to Type N Female Reducer

LENGTH = Overall Component Length Without Inner Connectors

WEIGHT = All Included Materials (reducer, inner connector, anchor insulator, o-ring, and hardware)

P/N	DESCRIPTION	FREQUENCY RANGE	LENGTH (inches)	WEIGHT (lbs)
350708	3-1/8" Un-Flanged to Type N Female Reducer	88 - 108 MHz (1.1:1 VSWR)	5.65"/14.35cm	2.75 lbs



Typical Response (1.1:1 VSWR 54 - 448 MHz)

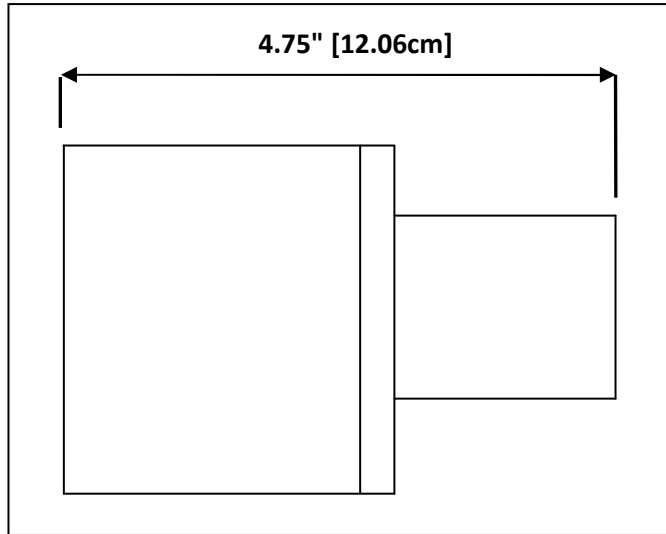
350709

3-1/8" to 1-5/8" Un-Flanged Reducer

LENGTH = Overall Component Length Without Inner Connectors

WEIGHT = All Included Materials (reducer, inner connector, anchor insulator, o-ring, and hardware)

P/N	DESCRIPTION	FREQUENCY RANGE	LENGTH (inches)	WEIGHT (lbs)
350709	3-1/8" to 1-5/8" Un-Flanged Reducer	88 - 108 MHz (1.1:1 VSWR)	4.75"/12.06cm	1.60 lbs



Typical Response (1.1:1 VSWR 54 - 448 MHz)

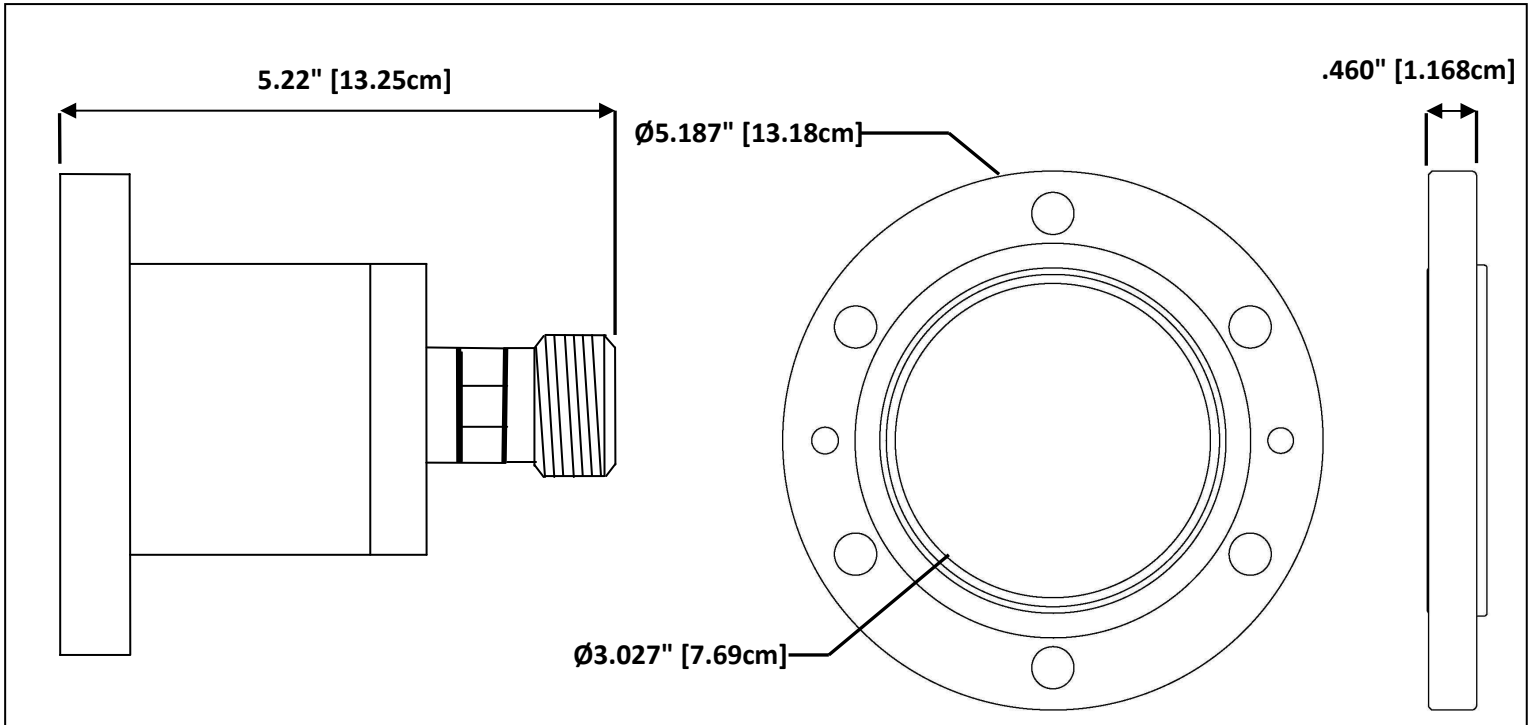
350710

3-1/8" EIA to 7-16 DIN Female Reducer

LENGTH = Overall Component Length Without Inner Connectors

WEIGHT = All Included Materials (reducer, inner connector, anchor insulator, o-ring, and hardware)

P/N	DESCRIPTION	FREQUENCY RANGE	LENGTH (inches)	WEIGHT (lbs)
350710	3-1/8" EIA Flange to 7-16 DIN Female Reducer	88 - 108 MHz (1.1:1 VSWR)	5.22"/13.25cm	5.0 lbs



Typical Response (1.1:1 VSWR 54 - 448 MHz)

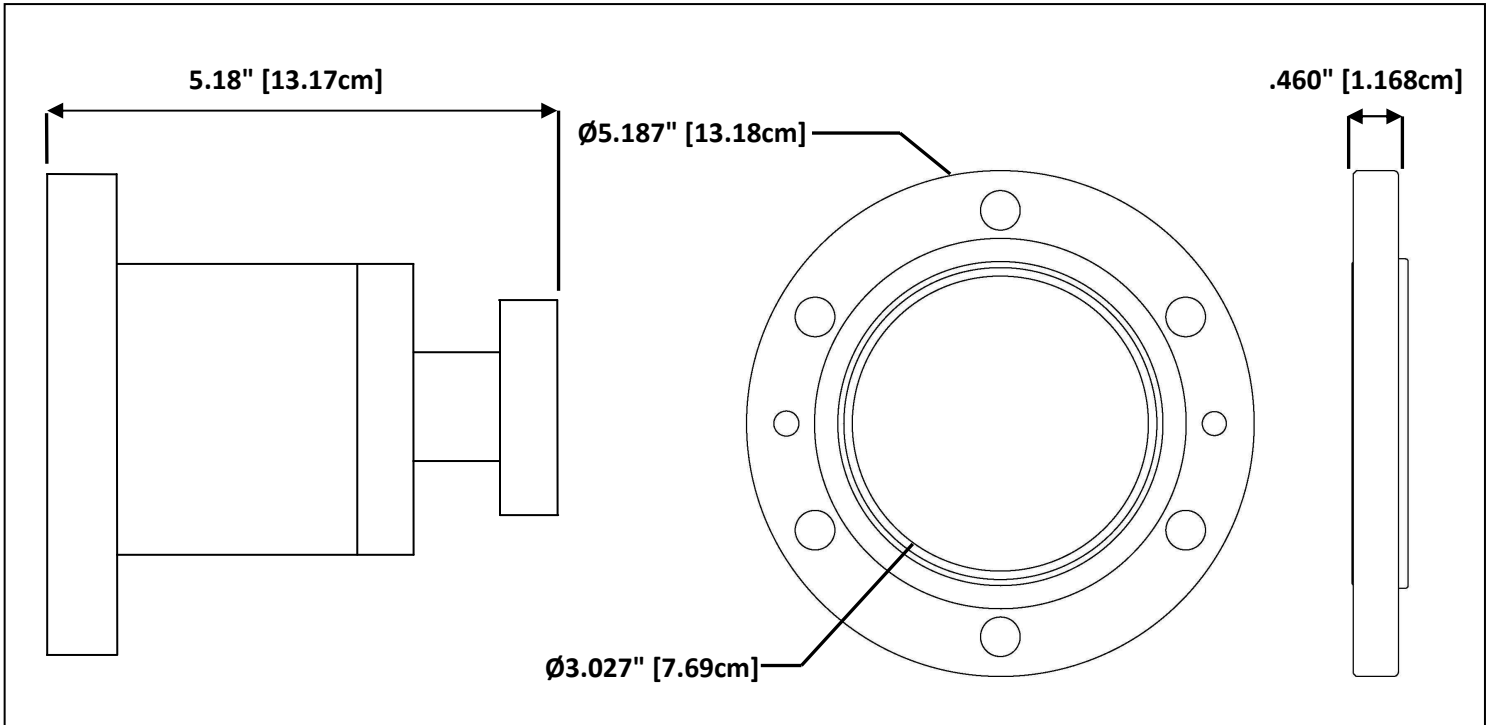
350720

3-1/8" EIA to 7/8" EIA Reducer

LENGTH = Overall Component Length Without Inner Connectors

WEIGHT = All Included Materials (reducer, inner connector, anchor insulator, o-ring, and hardware)

P/N	DESCRIPTION	FREQUENCY RANGE	LENGTH (inches)	WEIGHT (lbs)
350720	3-1/8" EIA Flange to 7/8" EIA Flange Reducer	88 - 108 MHz (1.1:1 VSWR)	5.18"/13.17cm	3.85 lbs



Typical Response (1.1:1 VSWR 54 - 448 MHz)

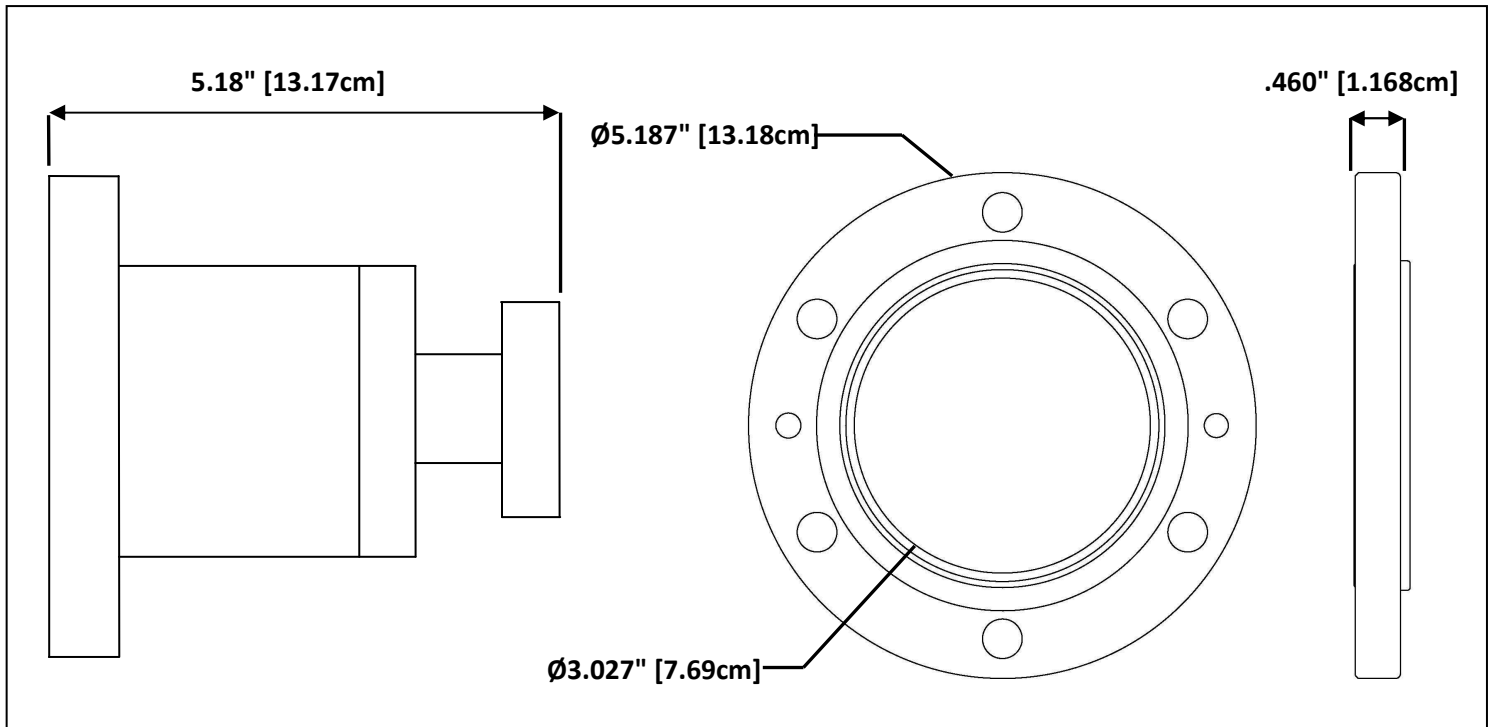
350720A

3-1/8" EIA to 7/8" EIA Reducer

LENGTH = Overall Component Length Without Inner Connectors

WEIGHT = All Included Materials (reducer, inner connector, anchor insulator, o-ring, and hardware)

P/N	DESCRIPTION	FREQUENCY RANGE	LENGTH (inches)	WEIGHT (lbs)
350720A	3-1/8" EIA Flange to 7/8" EIA Flange Reducer	88 - 108 MHz (1.1:1 VSWR)	5.18"/13.17cm	5.0 lbs



Typical Response (1.1:1 VSWR 54 - 448 MHz)

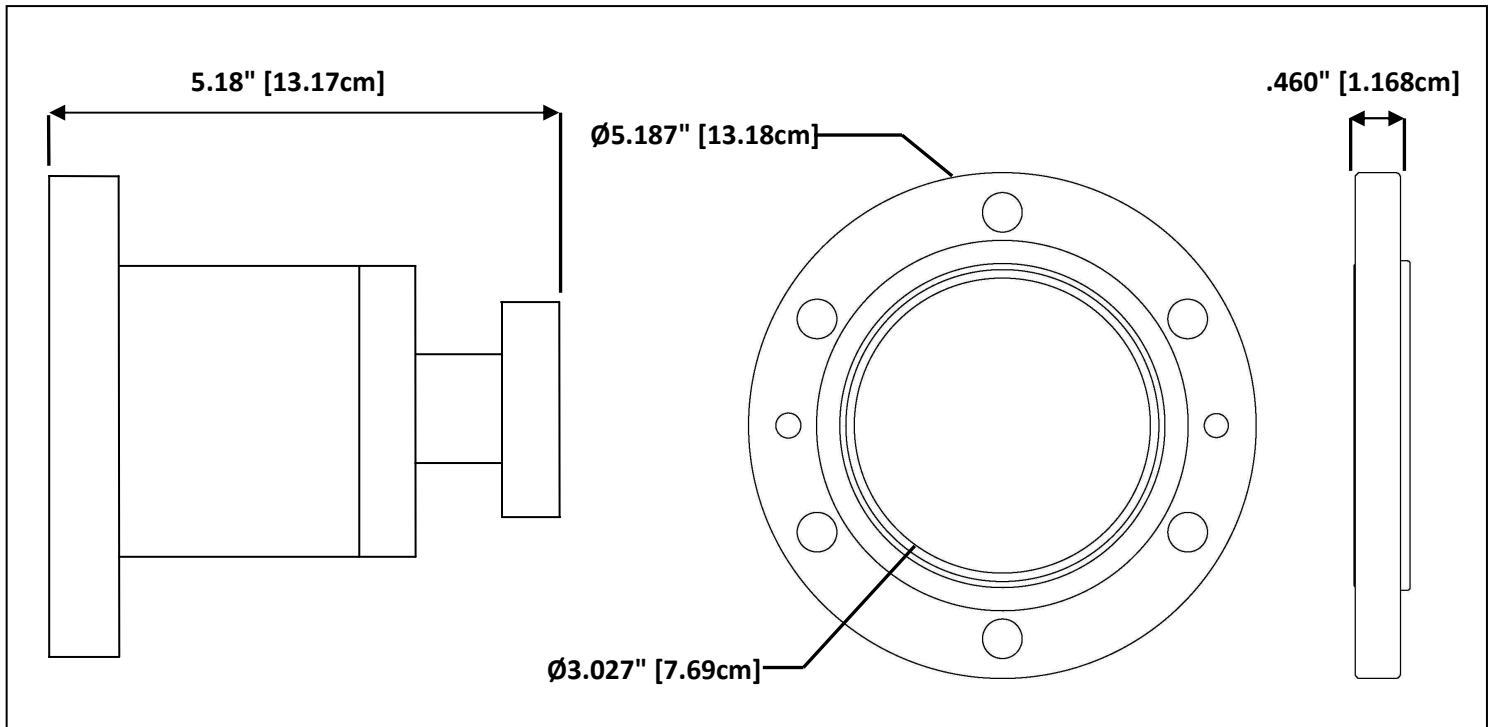
350720B

3-1/8" EIA to 7/8" EIA Reducer

LENGTH = Overall Component Length Without Inner Connectors

WEIGHT = All Included Materials (reducer, inner connector, anchor insulator, o-ring, and hardware)

P/N	DESCRIPTION	FREQUENCY RANGE	LENGTH (inches)	WEIGHT (lbs)
350720B	3-1/8" EIA Flange to 7/8" EIA Flange Reducer	88 - 108 MHz (1.1:1 VSWR)	5.18"/13.17cm	5.21 lbs



Typical Response (1.1:1 VSWR 54 - 448 MHz)

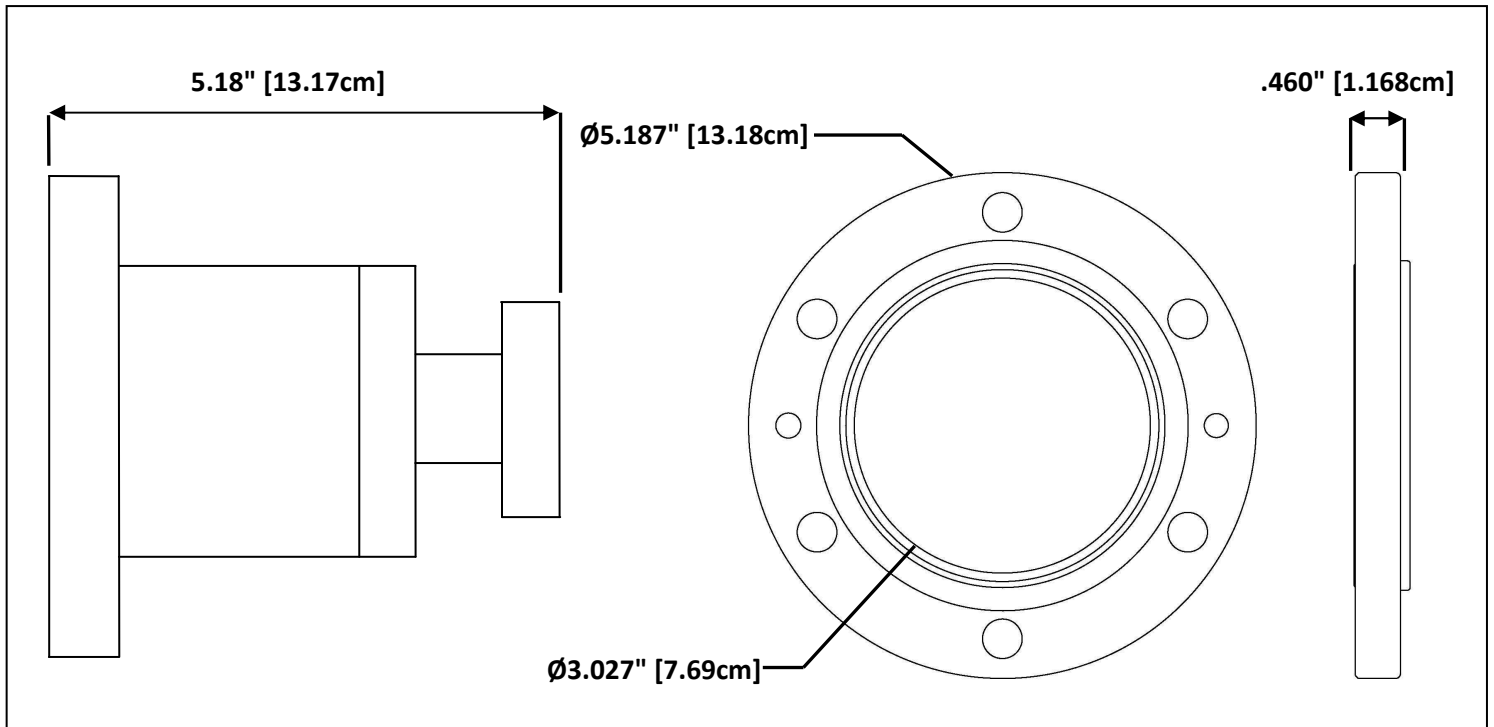
350720C

3-1/8" EIA to 7/8" EIA Reducer

LENGTH = Overall Component Length Without Inner Connectors

WEIGHT = All Included Materials (reducer, inner connector, anchor insulator, o-ring, and hardware)

P/N	DESCRIPTION	FREQUENCY RANGE	LENGTH (inches)	WEIGHT (lbs)
350720C	3-1/8" EIA Flange to 7/8" EIA Flange Reducer	88 - 108 MHz (1.1:1 VSWR)	5.18"/13.17cm	3.65 lbs



Typical Response (1.1:1 VSWR 54 - 448 MHz)

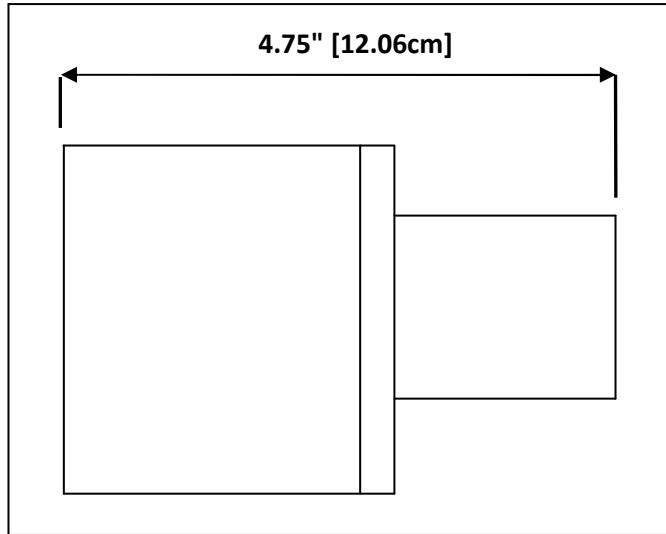
350722

3-1/8" to 1-5/8" Un-Flanged Reducer

LENGTH = Overall Component Length Without Inner Connectors

WEIGHT = All Included Materials (reducer, inner connector, anchor insulator, o-ring, and hardware)

P/N	DESCRIPTION	FREQUENCY RANGE	LENGTH (inches)	WEIGHT (lbs)
350722	3-1/8" to 1-5/8" Un-Flanged Reducer	88 - 108 MHz (1.1:1 VSWR)	4.75"/12.06cm	2.30 lbs



Typical Response (1.1:1 VSWR 54 - 448 MHz)