



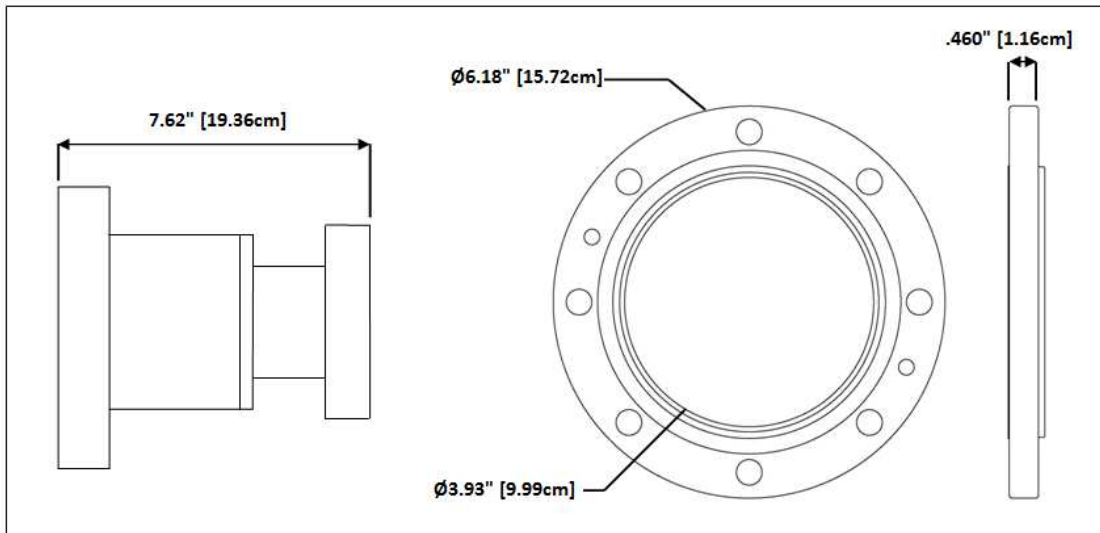
**450700**

**4-1/16" Flange to 3-1/8" EIA Male Reducer**

**LENGTH** = Overall Component Length Without Inner Connectors

**WEIGHT** = All Included Materials (reducer, inner connector, anchor insulator, o-ring, and hardware)

P/N	DESCRIPTION	FREQUENCY RANGE	LENGTH (inches)	WEIGHT (lbs)
450700	4-1/16" Flange to 3-1/8" EIA Flange Reducer	88 - 108 MHz (1.1:1 VSWR)	7.62"/19.36cm	N/A lbs



Typical Response (1.1:1 VSWR 54-692 MHz)



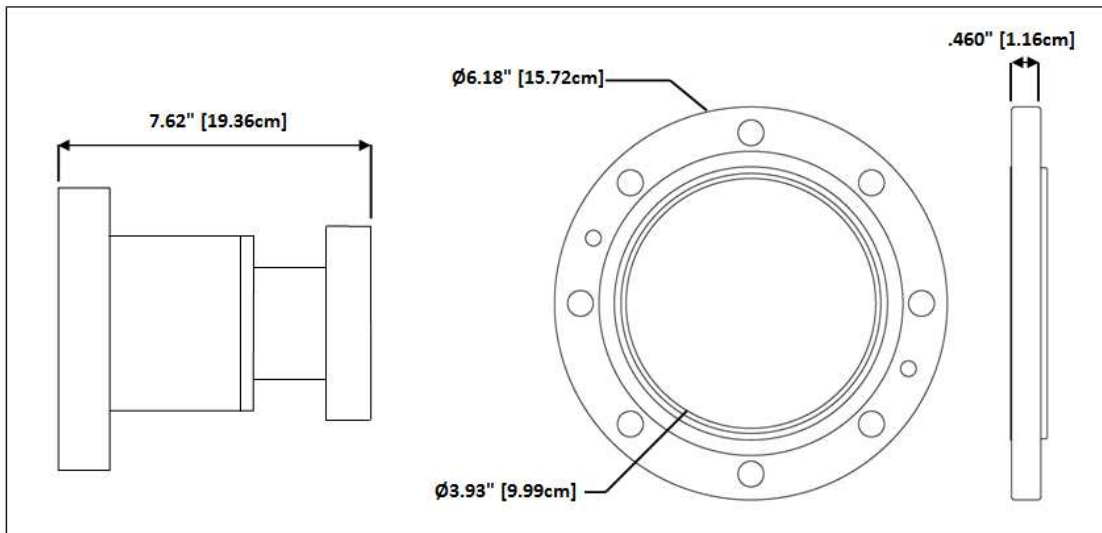
**450715**

**4-1/16" Flange to 3-1/8" EIA Reducer**

**LENGTH** = Overall Component Length Without Inner Connectors

**WEIGHT** = All Included Materials (reducer, inner connector, anchor insulator, o-ring, and hardware)

P/N	DESCRIPTION	FREQUENCY RANGE	LENGTH (inches)	WEIGHT (lbs)
450715	4-1/16" Flange to 3-1/8" EIA Flange Reducer	88 - 108 MHz (1.1:1 VSWR)	7.62"/19.36cm	N/A lbs



Typical Response (1.1:1 VSWR 54-692 MHz)



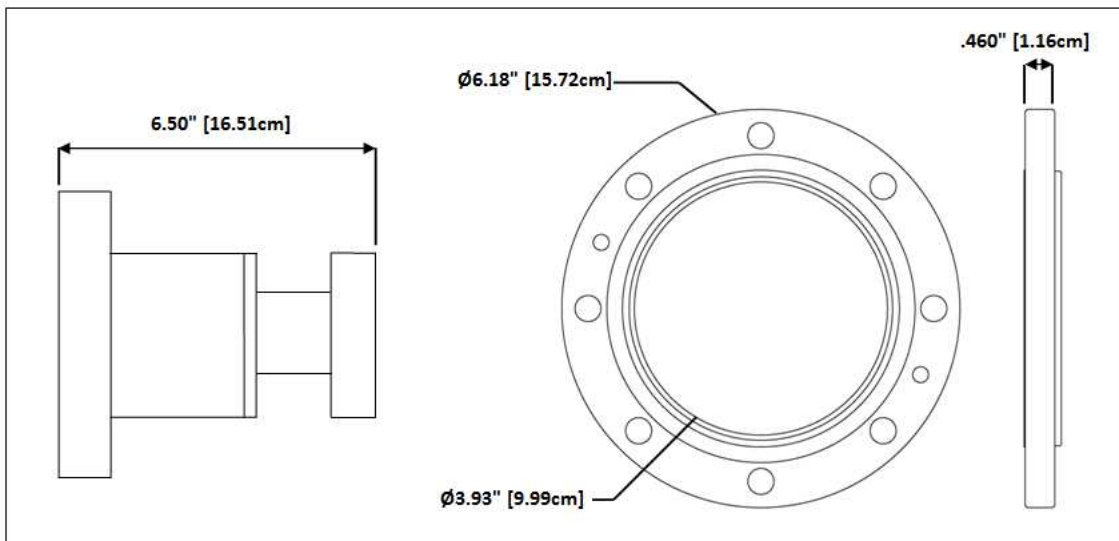
**450725**

**4-1/16" Flange to 1-5/8" EIA Reducer**

**LENGTH** = Overall Component Length Without Inner Connectors

**WEIGHT** = All Included Materials (reducer, inner connector, anchor insulator, o-ring, and hardware)

P/N	DESCRIPTION	FREQUENCY RANGE	LENGTH (inches)	WEIGHT (lbs)
450725	4-1/16" Flange to 1-5/8" EIA Flange Reducer	88 - 108 MHz (1.1:1 VSWR)	6.50"/16.51cm	7.25 lbs



Typical Response (1.1:1 VSWR 54-692 MHz)



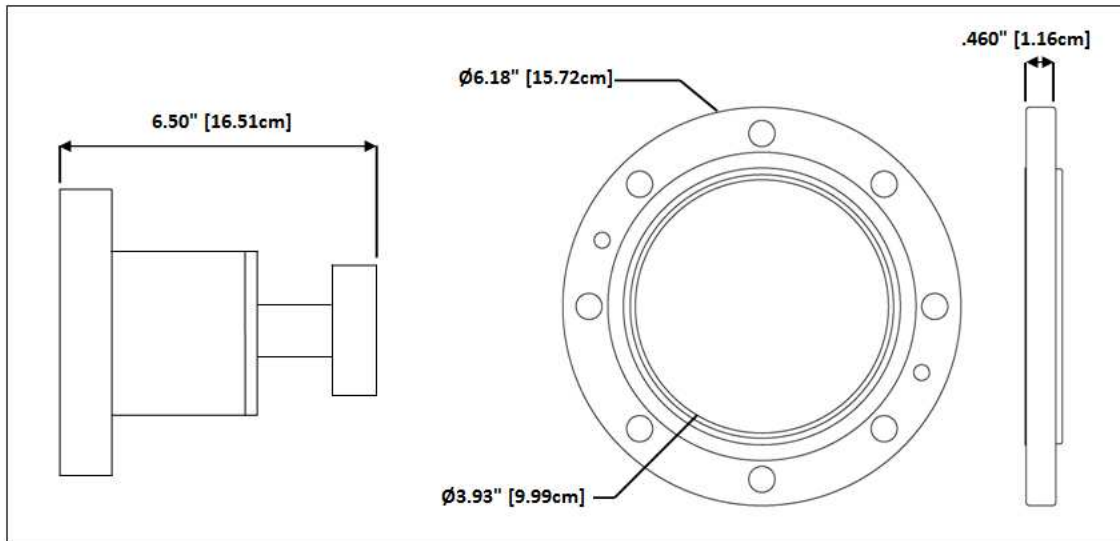
**450735**

**4-1/16" Flange to 7/8" EIA Reducer**

**LENGTH** = Overall Component Length Without Inner Connectors

**WEIGHT** = All Included Materials (reducer, inner connector, anchor insulator, o-ring, and hardware)

P/N	DESCRIPTION	FREQUENCY RANGE	LENGTH (inches)	WEIGHT (lbs)
450735	4-1/16" Flange to 7/8" EIA Flange Reducer	88 - 108 MHz (1.1:1 VSWR)	6.50" / 16.51cm	6.70 lbs



Typical Response (1.1:1 VSWR 54-692 MHz)