



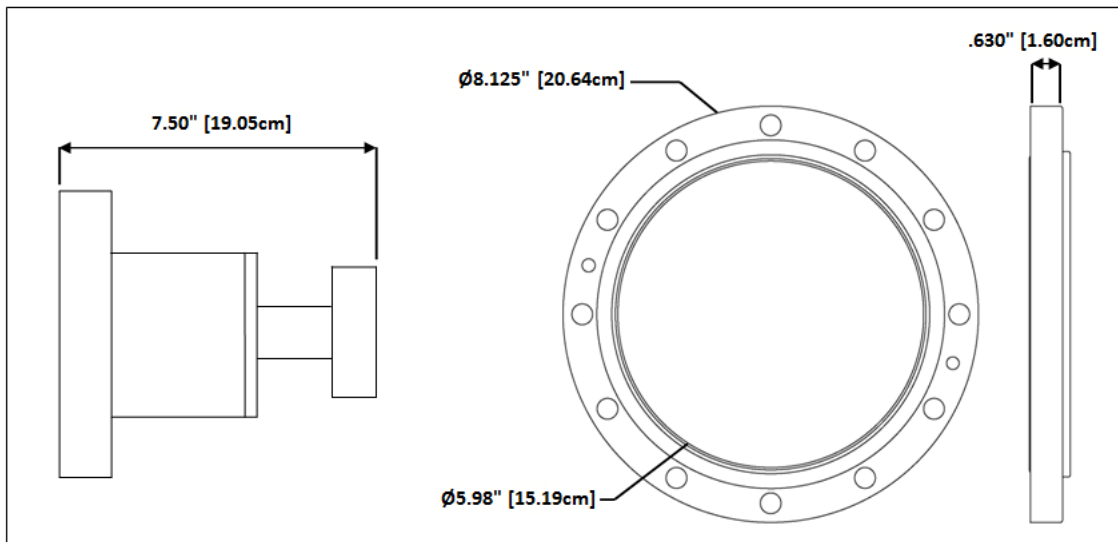
**650150**

**6-1/8" EIA to 1-5/8" EIA Reducer**

**LENGTH** = Overall Component Length Without Inner Connectors

**WEIGHT** = All Included Materials (reducer, inner connector, anchor insulator, o-ring, and hardware)

P/N	DESCRIPTION	FREQUENCY RANGE	LENGTH (inches)	WEIGHT (lbs)
650150	6-1/8" EIA Flange to 1-5/8" EIA Flange Reducer	88 - 108 MHz (1.1:1 VSWR)	7.50"/19.05cm	13.55 lbs



Typical Response (1.1:1 VSWR 54-692 MHz)



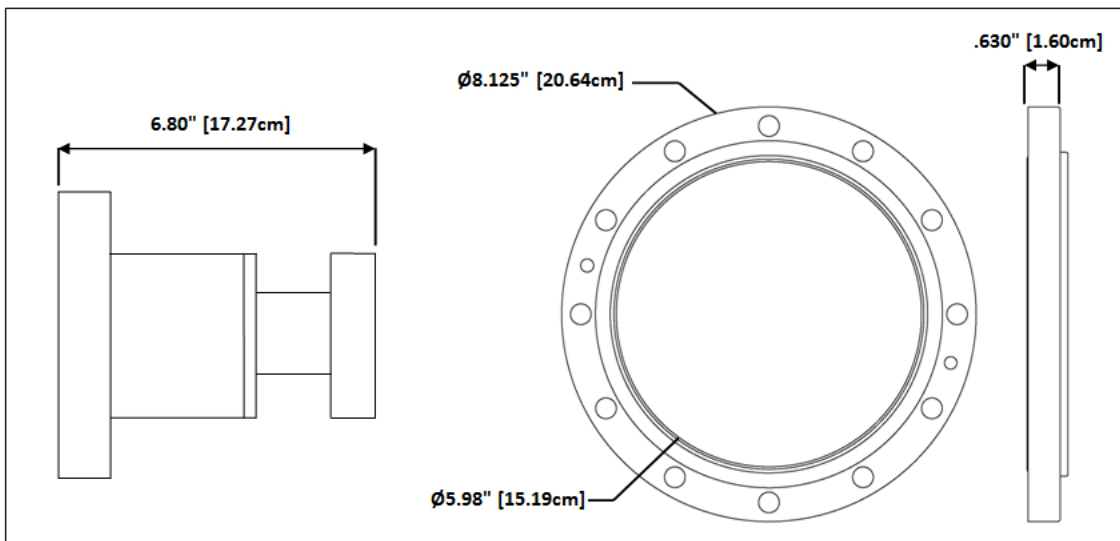
**650700**

**6-1/8" EIA to 3-1/8" EIA Reducer**

**LENGTH** = Overall Component Length Without Inner Connectors

**WEIGHT** = All Included Materials (reducer, inner connector, anchor insulator, o-ring, and hardware)

P/N	DESCRIPTION	FREQUENCY RANGE	LENGTH (inches)	WEIGHT (lbs)
650700	6-1/8" EIA Flange to 3-1/8" EIA Flange Reducer	88 - 108 MHz (1.1:1 VSWR)	6.80" / 17.27cm	14.30 lbs



Typical Response (1.1:1 VSWR 54-692 MHz)



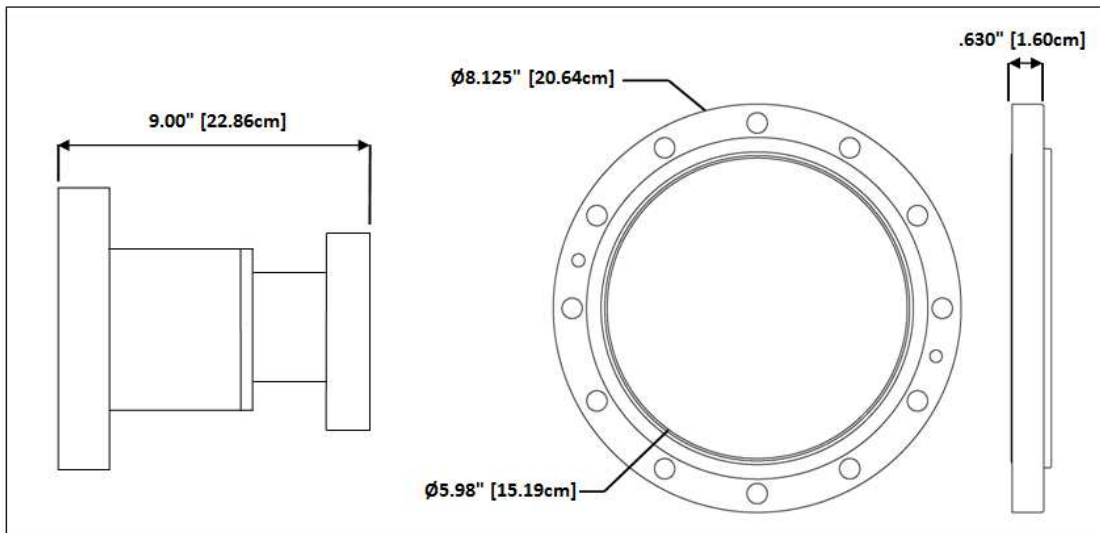
**650715**

**6-1/8" EIA to 4-1/16" Flange Reducer**

**LENGTH** = Overall Component Length Without Inner Connectors

**WEIGHT** = All Included Materials (reducer, inner connector, anchor insulator, o-ring, and hardware)

P/N	DESCRIPTION	FREQUENCY RANGE	LENGTH (inches)	WEIGHT (lbs)
650715	6-1/8" EIA Flange to 4-1/16" Flange Reducer	88 - 108 MHz (1.1:1 VSWR)	9.00"/22.86cm	16.25 lbs



Typical Response (1.1:1 VSWR 54-692 MHz)



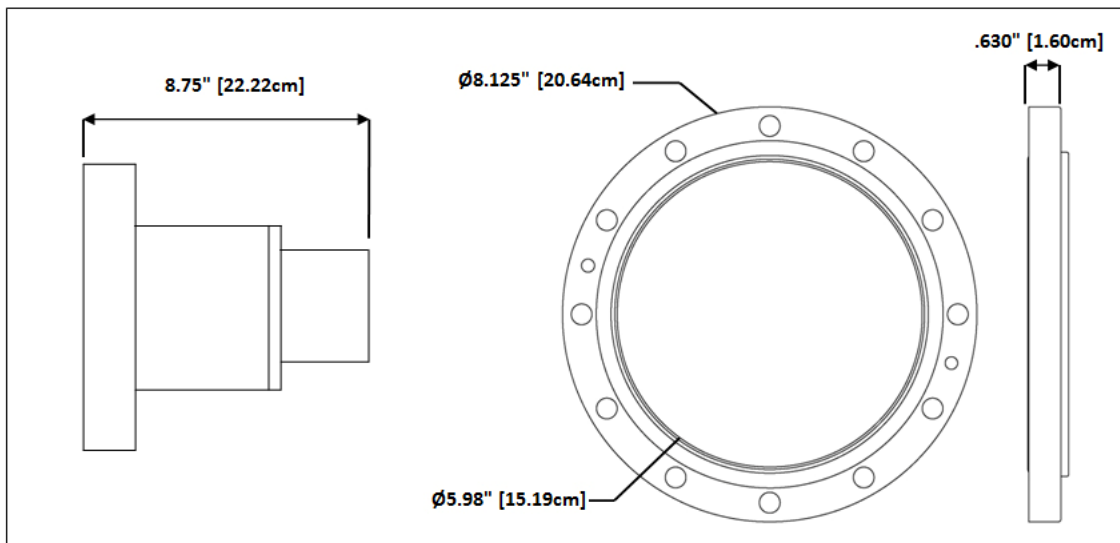
**650715A**

**6-1/8" EIA to 4-1/16" Un-Flanged Reducer**

**LENGTH** = Overall Component Length Without Inner Connectors

**WEIGHT** = All Included Materials (reducer, inner connector, anchor insulator, o-ring, and hardware)

P/N	DESCRIPTION	FREQUENCY RANGE	LENGTH (inches)	WEIGHT (lbs)
650715A	6-1/8" EIA Flange to 4-1/16" Un-Flanged Reducer	88 - 108 MHz (1.1:1 VSWR)	8.75"/22.22cm	15.25 lbs



Typical Response (1.1:1 VSWR 54-692 MHz)