



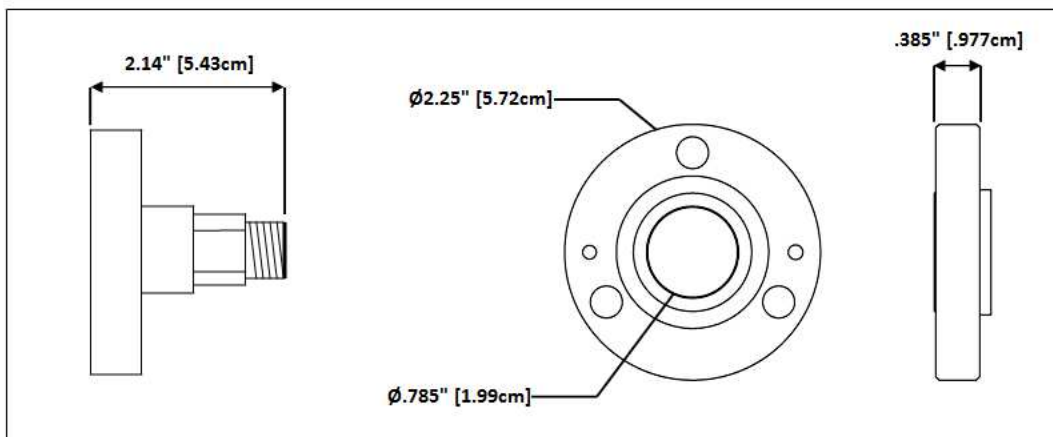
**780700**

**7/8" EIA to Type N Plate Reducer**

**LENGTH** = Overall Component Length Without Inner Connectors

**WEIGHT** = All Included Materials (reducer, inner connector, anchor insulator, o-ring, and hardware)

P/N	DESCRIPTION	FREQUENCY RANGE	LENGTH (inches)	WEIGHT (lbs)
780700	7/8" EIA Flange to Type N Female Plate Reducer	88 - 108 MHz (1.1:1 VSWR)	2.14"/5.43cm	.75lbs



Typical Response (1.1:1 VSWR 54-692 MHz)



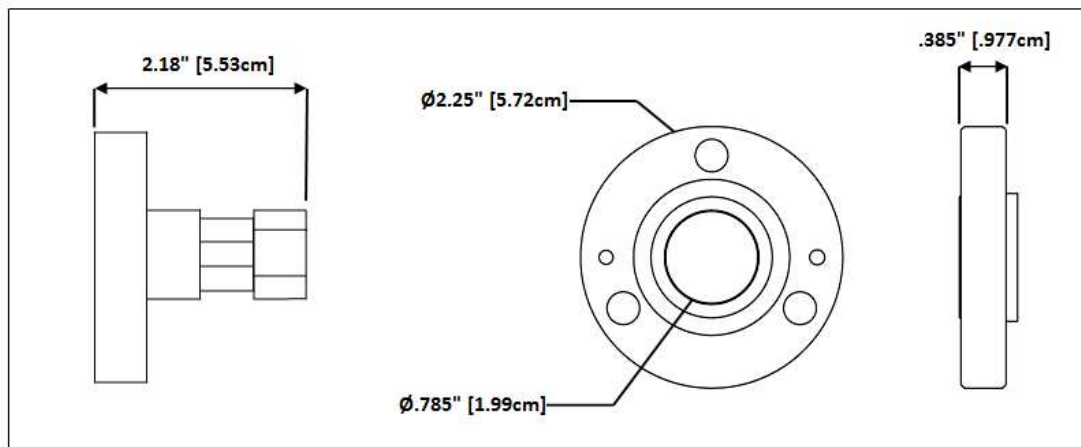
**780701**

**7/8" EIA to Type N Male Plate Reducer**

**LENGTH** = Overall Component Length Without Inner Connectors

**WEIGHT** = All Included Materials (reducer, inner connector, anchor insulator, o-ring, and hardware)

P/N	DESCRIPTION	FREQUENCY RANGE	LENGTH (inches)	WEIGHT (lbs)
780701	7/8" EIA Flange to Type N Male Plate Reducer	88 - 108 MHz (1.1:1 VSWR)	2.18"/5.53cm	.75lbs



Typical Response (1.1:1 VSWR 54-692 MHz)



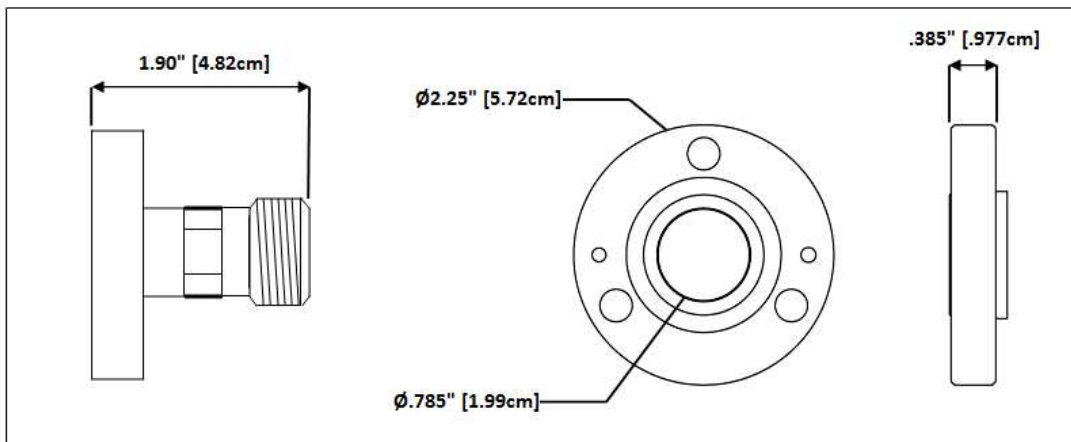
**780702**

**7/8" EIA to 7-16 DIN Female Plate Reducer**

**LENGTH** = Overall Component Length Without Inner Connectors

**WEIGHT** = All Included Materials (reducer, inner connector, anchor insulator, o-ring, and hardware)

P/N	DESCRIPTION	FREQUENCY RANGE	LENGTH	WEIGHT
780702	7/8" EIA Flange to 7-16 DIN Female Plate Reducer	88 - 108 MHz (1.1:1 VSWR)	1.90" / 4.82cm	1.0 lbs



Typical Response (1.1:1 VSWR 54-692 MHz)



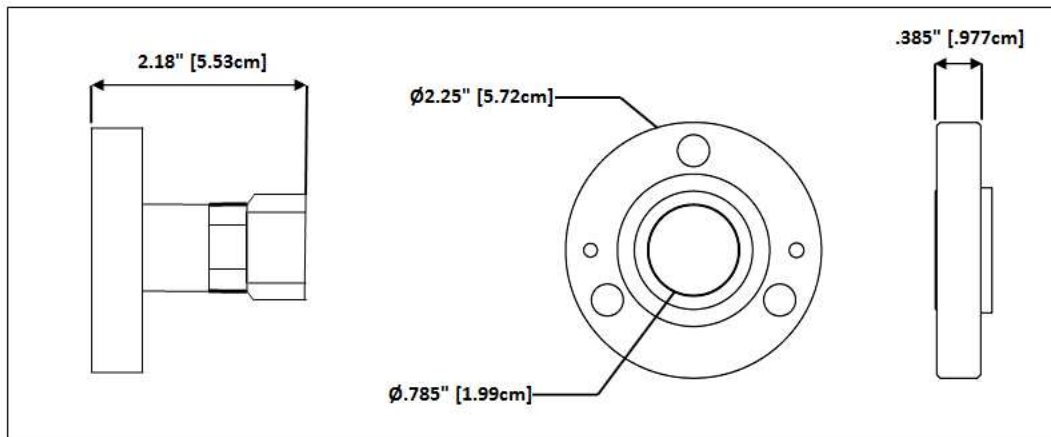
**780703**

**7/8" EIA to 7-16 DIN Male Plate Reducer**

**LENGTH** = Overall Component Length Without Inner Connectors

**WEIGHT** = All Included Materials (reducer, inner connector, anchor insulator, o-ring, and hardware)

P/N	DESCRIPTION	FREQUENCY RANGE	LENGTH (inches)	WEIGHT (lbs)
780703	7/8" EIA Flange to 7-16 DIN Male Plate Reducer	88 - 108 MHz (1.1:1 VSWR)	2.18"/5.53cm	1.0 lbs



Typical Response (1.1:1 VSWR 54-692 MHz)



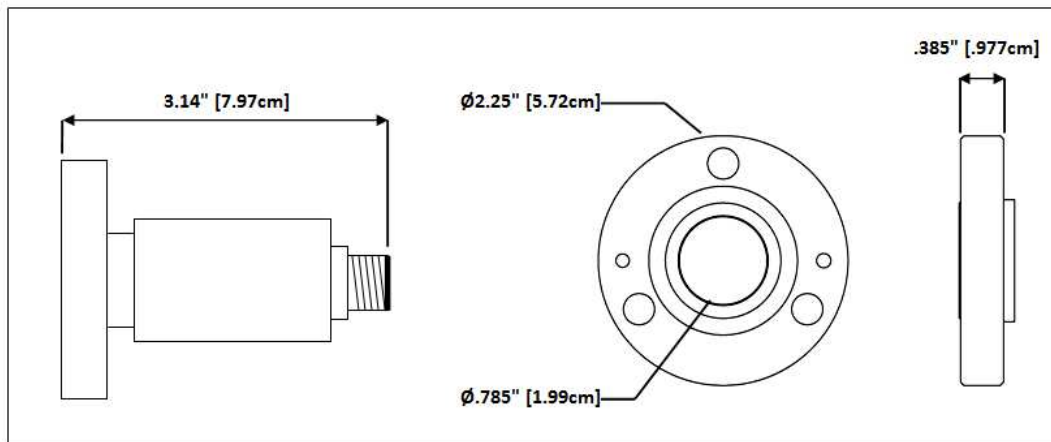
**780705**

**7/8" EIA to Type N Female Reducer**

**LENGTH** = Overall Component Length Without Inner Connectors

**WEIGHT** = All Included Materials (reducer, inner connector, anchor insulator, o-ring, and hardware)

P/N	DESCRIPTION	FREQUENCY RANGE	LENGTH (inches)	WEIGHT (lbs)
780705	7/8" EIA Flange to Type N Female Reducer	88 - 108 MHz (1.1:1 VSWR)	3.14" / 7.97cm	1.0 lbs



Typical Response (1.1:1 VSWR 54-692 MHz)



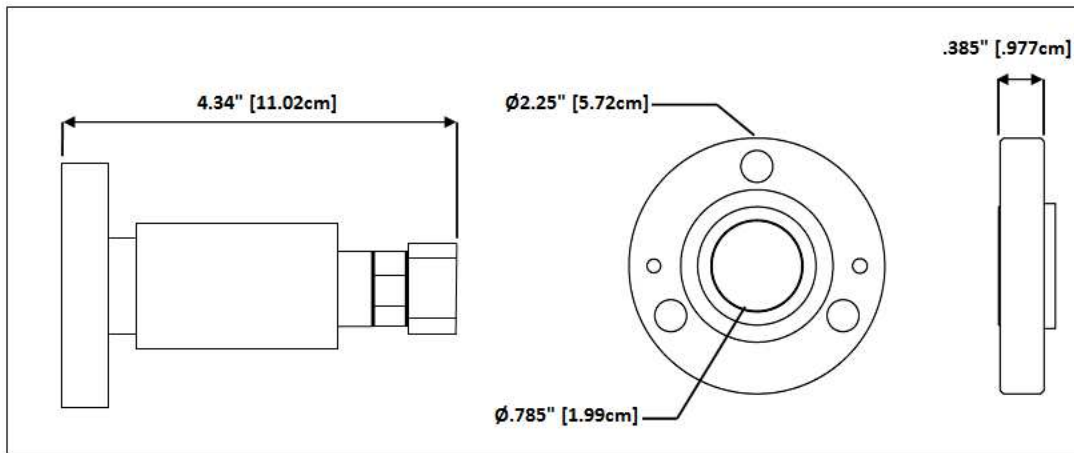
**780706**

**7/8" EIA to Type N Male Reducer**

**LENGTH** = Overall Component Length Without Inner Connectors

**WEIGHT** = All Included Materials (reducer, inner connector, anchor insulator, o-ring, and hardware)

P/N	DESCRIPTION	FREQUENCY RANGE	LENGTH (inches)	WEIGHT (lbs)
780706	7/8" EIA Flange to Type N Male Reducer	88 - 108 MHz (1.1:1 VSWR)	4.34"/11.02cm	1.25 lbs



Typical Response (1.1:1 VSWR 54-692 MHz)



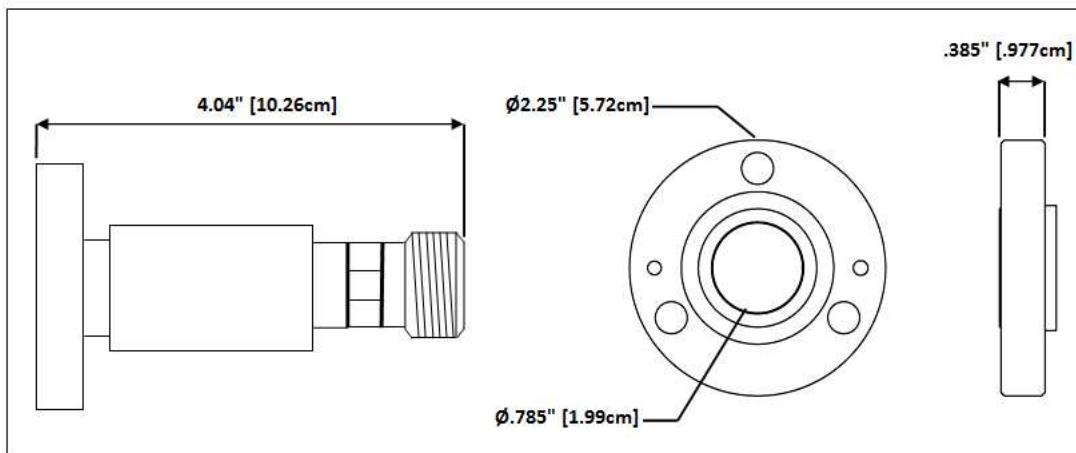
**780710**

**7/8" EIA to 7-16 DIN Female Reducer**

**LENGTH** = Overall Component Length Without Inner Connectors

**WEIGHT** = All Included Materials (reducer, inner connector, anchor insulator, o-ring, and hardware)

P/N	DESCRIPTION	FREQUENCY RANGE	LENGTH (inches)	WEIGHT (lbs)
780710	7/8" EIA Flange to 7-16 DIN Female Reducer	88 - 108 MHz (1.1:1 VSWR)	4.04"/10.26cm	1.25 lbs



Typical Response (1.1:1 VSWR 54-692 MHz)



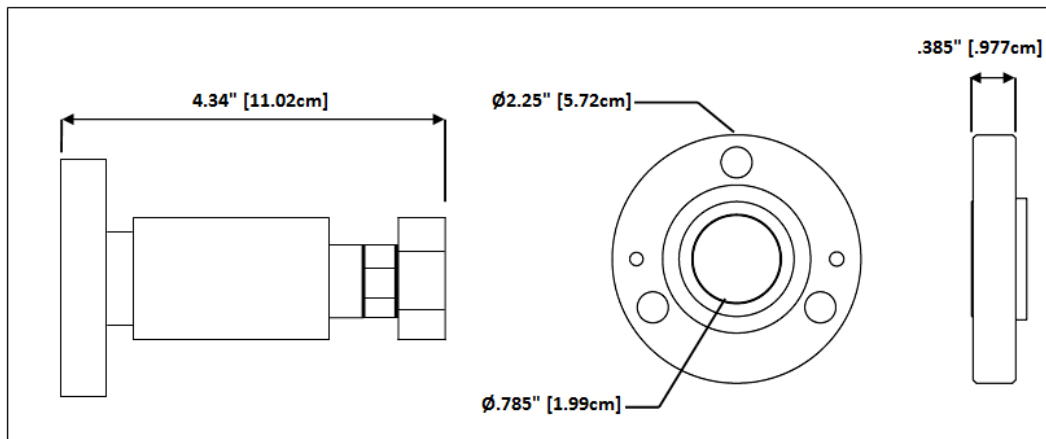
**780715**

**7/8" EIA to 7-16 DIN Male Reducer**

**LENGTH** = Overall Component Length Without Inner Connectors

**WEIGHT** = All Included Materials (reducer, inner connector, anchor insulator, o-ring, and hardware)

P/N	DESCRIPTION	FREQUENCY RANGE	LENGTH (inches)	WEIGHT (lbs)
780715	7/8" EIA Flange to 7-16 DIN Male Reducer	88 - 108 MHz (1.1:1 VSWR)	4.34"/11.02cm	1.25 lbs



Typical Response (1.1:1 VSWR 54-692 MHz)