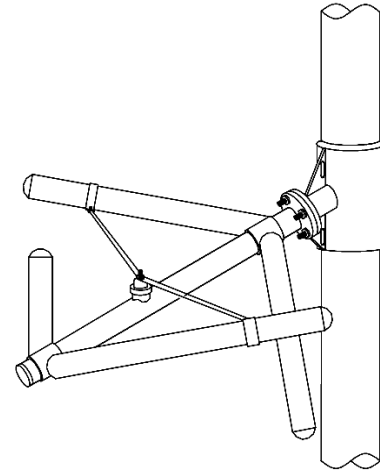




FM10 SERIES HIGH POWER FM ANTENNAS



Product Specifications:

Frequency Range	88 – 108 MHz
Polarization	Circular
Power Rating	10 kW per bay
System Input	3 1/8" or 4 1/16" EIA
Circularity	± 2 dB Free Space
VSWR	1.1:1 ± 200 kHz
Bay Dimensions	H 51" / W 38.5" / D 19"

Features:

•**FULL POWER RATING.** Rated at 10 kW per bay with a maximum of 40 kW for four bays or more.

•**EXCELLENT CHOICE FOR MOST CLASS "C" stations.** Provides superior performance for stereo and SCA operations due to its high VSWR rating.

•**RUGGED CONSTRUCTION.** The antenna system is fabricated from rugged, heavy wall copper and naval brass. All joints are tig-welded.

•**PRESSURIZED AND GROUNDED.** The antenna system is pressurized to the feed point of each bay and each bay is DC grounded.

•**BEAM TILT AND/OR NULL FILL OPTIONAL.** Custom vertical patterns are available with center-fed arrays that have an even number of bays.

•**CUSTOM DIRECTIONAL PATTERNS.** FM directional antennas based on the customer's mounting structure, with FCC filing documentation, are available.

•**WEATHERIZATION (OPTIONAL).** Radomes or electrical deicers available for areas that experience periods of heavy icing and/or snow conditions.

•**STANDARD MOUNTING BRACKETS.** Fits up to 4" tower leg or pipe. Supplied with antenna.

•**WARRANTY.** 2-year limited warranty on defects and workmanship to the original purchaser.

Notes:

1. Power gain figure is for each polarization.
2. Power rating is based on 40 degrees C ambient. Degeneration occurs above 2000 ft.
3. Antenna weight, windload, aperture and dimensions are based on mid-band operation (98.1 MHz).
4. Antennas with 2 or more bays come with input fine-matcher.
5. SWR, Inc. maintains a continuous program of product improvement and therefore reserves the right to change specifications without notice.

Full Wave Spaced Electrical and Mechanical Specifications

Bays	Power Rating (kW)	Power Gain	dB Gain	Net. Weight (lbs)	Windload (lbs)
1	10	0.441	-3.556	25	50
2	20	0.959	-0.182	125	197
3	30	1.495	1.746	200	320
4	40	2.044	3.105	275	445
5	40	2.590	4.133	350	570
6	40	3.160	4.997	425	730
8	40	4.311	6.346	533	855
10	40	5.456	7.369	610	980

Half Wave Spaced Electrical and Mechanical Specifications

Bays	Power Rating (kW)	Power Gain	dB Gain	Net. Weight (lbs)	Windload (lbs)
1	10	0.441	-3.556	25	50
2	20	0.695	-1.580	112	187
3	30	1.012	0.052	173	302
4	40	1.313	1.183	235	398
5	40	1.623	2.103	296	495
6	40	1.924	2.842	358	592
8	40	2.528	4.028	452	688
10	40	3.129	4.954	516	785

3/4 Wave Spaced Electrical and Mechanical Specifications

Bays	Power Rating (kW)	Power Gain	dB Gain	Net. Weight (lbs)	Windload (lbs)
1	10	0.441	-3.556	25	50
2	20	0.935	-0.292	95	167
3	30	1.396	1.449	143	280
4	40	1.845	2.660	200	368
5	40	2.301	3.619	256	475
6	40	2.756	4.403	338	572
8	40	3.664	5.640	422	668
10	40	4.590	6.618	480	760