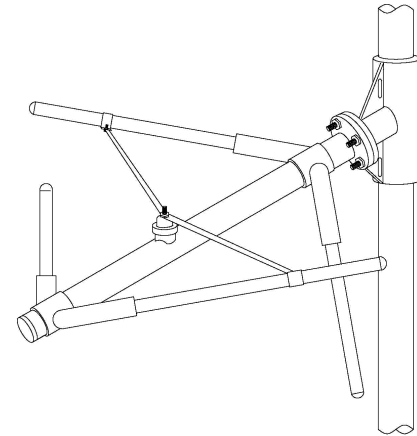




# FM3 SERIES CIRCULAR POLARIZED MEDIUM POWER FM ANTENNAS



## Product Specifications:

Frequency Range	88 – 108 MHz
Polarization	Circular
Power Rating	3 kW per bay
System Input	1 5/8" or 3 1/8" EIA
Circularity	± 2 dB Free Space
VSWR	1.1:1 ± 200 kHz
Bay Dimensions	H 38" / W 38.5 / D 19"

## Features:

•**FULL POWER RATING.** Rated at 3kW per bay with a maximum of 15 kW for five bays or more.

•**EXCELLENT CHOICE FOR MOST CLASS "A" STATIONS.** Provides superior performance for stereo and SCA operations due to its high VSWR rating.

•**RUGGED CONSTRUCTION.** The antenna system is fabricated from rugged, heavy wall copper and naval brass. All joints are tig-welded.

•**PRESSURIZED AND GROUNDED.** The antenna system is pressurized to the feed point of each bay and each bay is DC grounded.

•**BEAM TILT AND/OR NULL FILL OPTIONAL.** Custom vertical patterns are available with center-fed arrays that have an even number of bays.

•**CUSTOM DIRECTIONAL PATTERNS.** FM directional antennas based on the customer's mounting structure, with FCC filing documentation, are available.

•**WEATHERIZATION (OPTIONAL).** Radomes or electrical deicers available for areas that experience periods of heavy icing and/or snow conditions.

•**STANDARD MOUNTING BRACKETS.** Fits up to 4" tower leg or pipe. Supplied with antenna.

•**WARRANTY.** 2-year limited warranty on defects and workmanship to the original purchaser.

### Notes:

1. Power rating is based on 40 degrees C ambient. Degeneration occurs above 2000 ft.
2. Antenna weight, windload, aperture, and dimensions are based on mid-band operation (98.1 MHz).
3. Antennas with 2 or more bays come with input fine-matcher.
4. Windload based on 50/33 psf.
5. SWR, Inc. maintains a continuous program of product improvement and therefore reserves the right to change specifications without notice.

### Full Wave Spaced Electrical and Mechanical Specifications

Bays	Power Rating (kW)	Power Gain	dB Gain	Net. Weight (lbs)	Windload (lbs)
1	3	0.441	-3.556	21	45
2	6	0.959	-0.182	100	165
3	9	1.495	1.746	155	260
4	12	2.044	3.105	210	350
5	15	2.590	4.133	265	440
6	15	3.160	4.997	320	570
8	15	4.311	6.346	410	665
10	15	5.456	7.369	475	760

### Half Wave Spaced Electrical and Mechanical Specifications

Bays	Power Rating (kW)	Power Gain	dB Gain	Net. Weight (lbs)	Windload (lbs)
1	3	0.441	-3.556	21	45
2	6	0.695	-1.580	94	157
3	9	1.012	0.052	143	225
4	12	1.313	1.183	192	294
5	15	1.623	2.103	241	363
6	15	1.924	2.842	290	432
8	15	2.528	4.028	374	500
10	15	3.129	4.954	433	569

### 3/4 Wave Spaced Electrical and Mechanical Specifications

Bays	Power Rating (kW)	Power Gain	dB Gain	Net. Weight (lbs)	Windload (lbs)
1	3	0.441	-3.556	21	45
2	6	0.935	-0.292	84	137
3	9	1.396	1.449	123	200
4	12	1.845	2.660	162	250
5	15	2.301	3.619	221	300
6	15	2.756	4.403	275	380
8	15	3.664	5.640	354	450
10	15	4.590	6.618	400	545