



FMEV PLUS SERIES VERTICALLY POLARIZED LOW POWER FM ANTENNAS

Product Specifications:

Frequency Range	88 – 108 MHz
Polarization	Vertical
Power Rating	1000 Watts per bay
System Input	Type N Male
VSWR	1.3:1 ± 150 kHz
Bay Dimensions	H 43.50" / W 38.5" / D 19"

Features:

•**BUILT WITH LOW POWER BROADCASTERS IN MIND.** Stations or translators that require circular, horizontal, or vertical polarizations.

•**POWER RATING.** Each bay is rated at 1000 watts with a maximum power of 5 kW for four bays.

•**RUGGED CONSTRUCTION.** Each bay is constructed from rugged, heavy wall copper and naval brass. All joints are tig-welded.

•**PRESSURIZATION IS NOT REQUIRED.**

•**CUSTOM DIRECTIONAL PATTERNS.** FM directional antennas designed to the customer's specified mounting structure and FCC filing documentation are available.

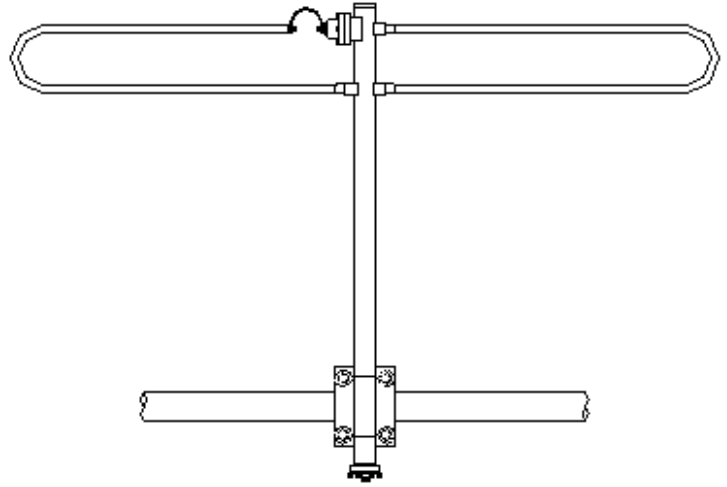
•**WEATHERIZATION (OPTIONAL).** Radomes or electrical deicers available for areas that experience periods of heavy icing and/or snow conditions.

•**STANDARD MOUNTING BRACKETS.** Fits up to 4" tower leg or pipe. Supplied with antenna.

•**WARRANTY.** 2-year limited warranty on defects and workmanship to the original purchaser.

Notes:

1. Power rating is based on 40 degrees C ambient. Degeneration occurs above 2000 ft.
2. Antenna weight, windload, aperture and dimensions are based on mid-band operation (98.1 MHz).
3. Antennas with 3 or more bays come with input power divider.
4. SWR, Inc. maintains a continuous program of product improvement and therefore reserves the right to change specifications without notice.



Full Wave Spaced Electrical and Mechanical Specifications

Bays	Power Rating (watts)	Power Gain	dB Gain	Net. Weight (lbs)	Windload (lbs)
1	1000	0.883	-0.539	15	35
2	2000	1.918	2.828	35	85
3	3000	2.991	4.758	50	120
4	4000	4.088	6.115	65	155
5	5000	5.190	7.152	80	190
6	5000	6.321	8.008	95	225
8	5000	8.622	9.356	110	260
10	5000	10.913	10.379	130	295

Half Wave Spaced Electrical and Mechanical Specifications

Bays	Power Rating (watts)	Power Gain	dB Gain	Net. Weight (lbs)	Windload (lbs)
1	1000	0.883	-0.539	15	35
2	2000	1.390	1.430	35	85
3	3000	2.025	3.064	50	120
4	4000	2.627	4.195	65	155
5	5000	3.245	5.112	80	190
6	5000	3.847	5.851	95	225
8	5000	5.057	7.039	110	260
10	5000	6.258	7.965	125	295

3/4 Wave Spaced Electrical and Mechanical Specifications

Bays	Power Rating (watts)	Power Gain	dB Gain	Net. Weight (lbs)	Windload (lbs)
1	1000	0.883	-0.539	15	35
2	2000	1.870	2.719	35	85
3	3000	2.792	4.460	50	120
4	4000	3.690	5.670	65	155
5	5000	4.603	6.630	80	190
6	5000	5.513	7.414	95	225
8	5000	7.329	8.651	110	260
10	5000	9.180	9.628	125	295